

EK-Quantum Vector D-RGB Upgrade Kit



This product is intended for installation by expert users only. Please consult with a qualified technician. Improper installation may result in damage to your equipment. EK Water Blocks assumes no liability whatsoever, expressed or implied, for the use of these products or their installation. The following instructions are subject to change without notice. Please, read the manual carefully before beginning with the installation process.

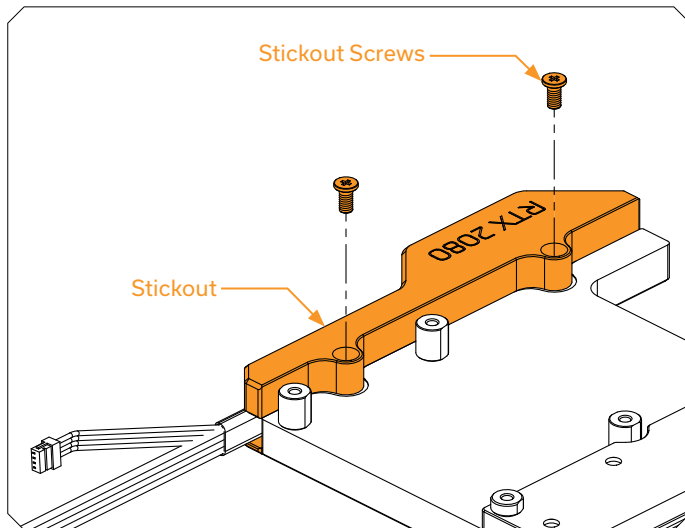
TABLE OF CONTENT

| | |
|---|----------|
| DISCONNECT THE LEDs | 4 |
| REPLACE THE STICKOUT | 4 |
| ATTACHING THE NEW STICKOUT AND D-RGB LED | 5 |
| PLEXI VERSION | 5 |
| ACETAL VERSION | 5 |
| ATTACHING THE D-RGB TERMINAL COVER | 6 |
| IMPORTANT INFORMATION | 6 |
| CONNECTING THE D-RGB LED STRIP | 7 |
| SUPPORT AND SERVICE | 8 |
| SOCIAL MEDIA | 8 |

DISCONNECT THE LEDs

First, disconnect the cable between the Terminal Cover and Stickout. After that, remove the Terminal Cover from the FC Terminal.

REPLACE THE STICKOUT

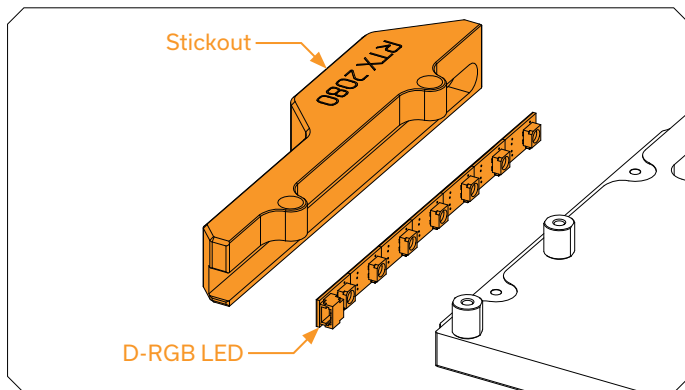


Remove the Stickout from the water block and store the screws for later use.



If you have the Acetal version of the water block, do not forget to remove the RGB LED from the Acetal part.

ATTACHING THE NEW STICKOUT AND D-RGB LED

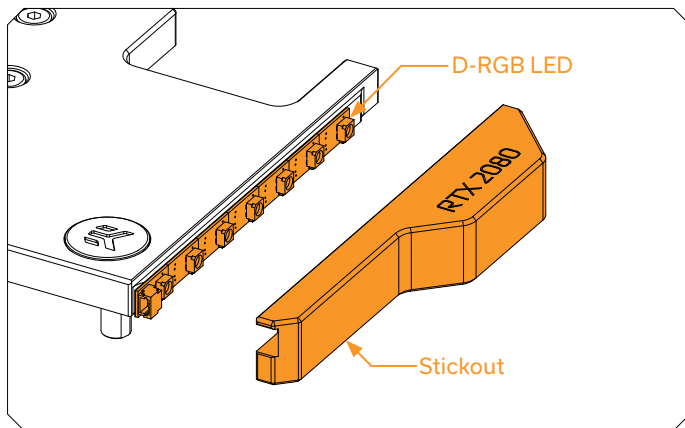


PLEXI VERSION

Take the Stickout and D-RGB LED from the box.

Remove the protective foil from D-RGB LED and attach the LED to the Stickout.

After this, use the stored screws to secure the Stickout to the Plexi part.



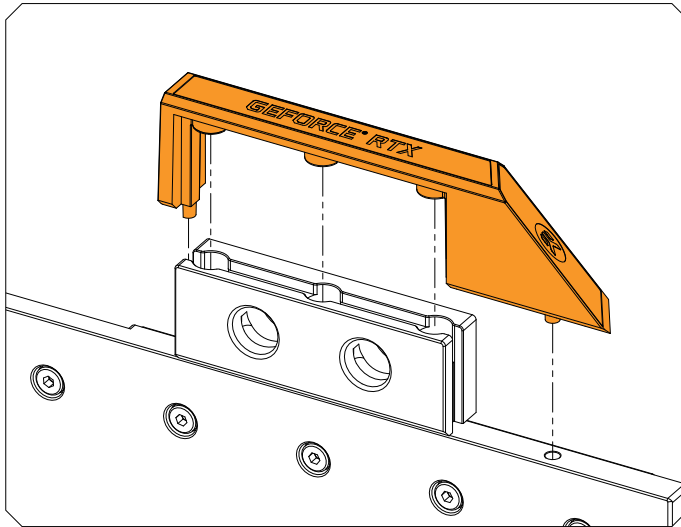
ACETAL VERSION

Take the Stickout and D-RGB LED from the box.

Remove the protective foil from D-RGB LED and attach the LED to the Acetal. D-RGB is oriented towards the Stickout.

After this, use the stored screws to secure the Stickout to the Acetal part.

ATTACHING THE D-RGB TERMINAL COVER



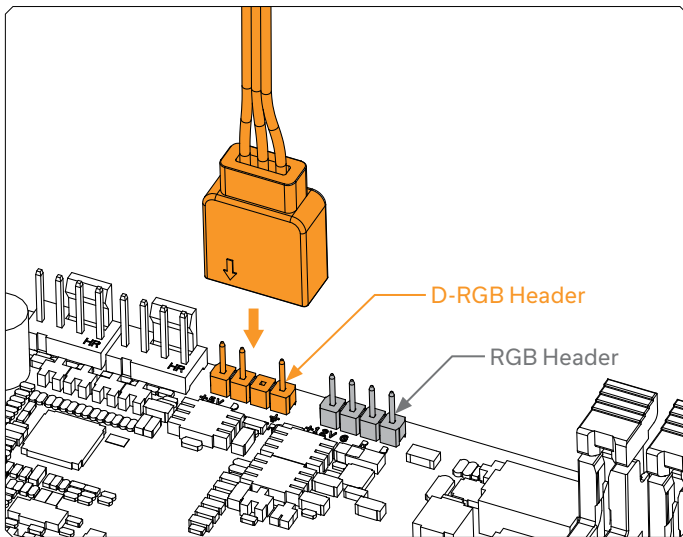
Take the pre-assembled D-RGB Terminal Cover from the box and attach it to the FC Terminal.

IMPORTANT INFORMATION

Do not forget to connect the D-RGB LED cable of the Stickout to the cable of the Terminal Cover.

**In case you have 2 (two) Stickouts:
First, connect the Stickout cables and then you can connect them to the Terminal Cover cable!**

CONNECTING THE D-RGB LED STRIP



Plug the 3-pin connector from the water block's D-RGB LED light in the D-RGB HEADER on the motherboard. The LED will work if the pin layout on the header is as follows: +5V, Digital.



Please ensure that the arrow indicated on the connector is plugged into the +5V line as indicated on your motherboard. If you connect the LED Diode to the 12V RGB HEADER you can damage the LEDs.


SUPPORT AND SERVICE

For assistance please contact:


<http://support.ekwb.com/>

EKWB d.o.o.
Pod lipami 18
1218 Komenda
Slovenia - EU


SOCIAL MEDIA

 EKWaterBlocks

 @EKWaterBlocks

 ekwaterblocks

 EKWBofficial

 ekwaterblocks

