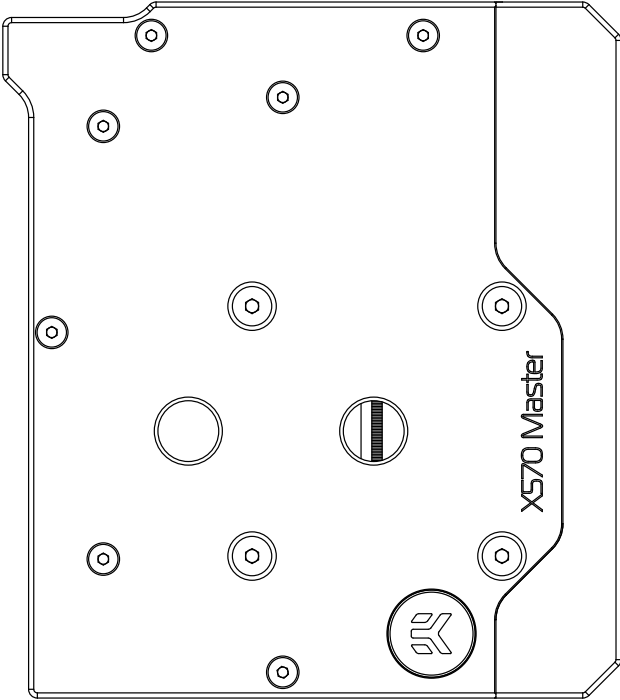


# EK-Quantum

## Momentum Aorus X570 Master D-RGB – Plexi

MONOBLOCK



This product is intended for installation only by expert users. Please consult with a qualified technician for installation. Improper installation may result in damage to your equipment. EK Water Blocks assumes no liability whatsoever, expressed or implied, for the use of these products, nor their installation. The following instructions are subject to change without notice. Please visit our web site at [www.ekwb.com](http://www.ekwb.com) for updates. Before installation of this product please read important notice, disclosure and warranty conditions printed on the back of the box.

Before you start using this product please follow these basic guidelines:

**Please carefully read the manual thoroughly before beginning with the installation process!**

**Please remove your motherboard from the computer to assure safest mounting process in order to prevent any possible damages to your CPU and/or motherboard's circuit board (PCB).**

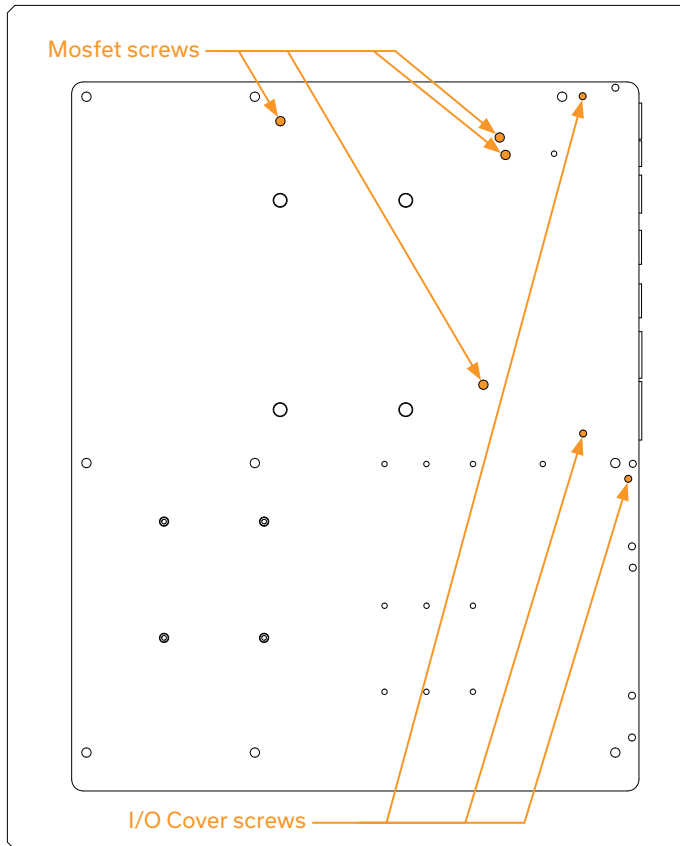
**The EK- Fittings require only a small amount of force to screw them firmly in place since the liquid seal is ensured by the rubber o-ring gaskets.**

**The use of quality, market proved corrosion inhibiting coolants is always strongly recommended for any liquid cooling system.**

# TABLE OF CONTENT

<b>PREPARING YOUR MOTHERBOARD</b>	<b>4</b>
REMOVING FACTORY PROVIDED BACKPLATE	4
REMOVING STOCK COOLER	4
REMOVING OF THE ORIGINAL PLASTIC HOLD-DOWN AND THE FACTORY BACKPLATE	5
APPLYING THERMAL COMPOUND	6
CUTTING THERMAL PADS	6
PLACING THERMAL PADS ON THE MOTHERBOARD	6
<b>PLACING THE BLOCK ON TO MOTHERBOARD</b>	<b>7</b>
ATTACHING BLOCK ON THE MOTHERBOARD	7
CONNECTING THE D-RGB LED STRIP	8
<b>REQUIRED TOOLS</b>	<b>9</b>
<b>SUPPORT AND SERVICE</b>	<b>10</b>
<b>SOCIAL MEDIA</b>	<b>10</b>

## PREPARING YOUR MOTHERBOARD



### REMOVING FACTORY PROVIDED BACKPLATE

From the back side of the motherboard, remove five (5) screws using Phillips head screwdriver.

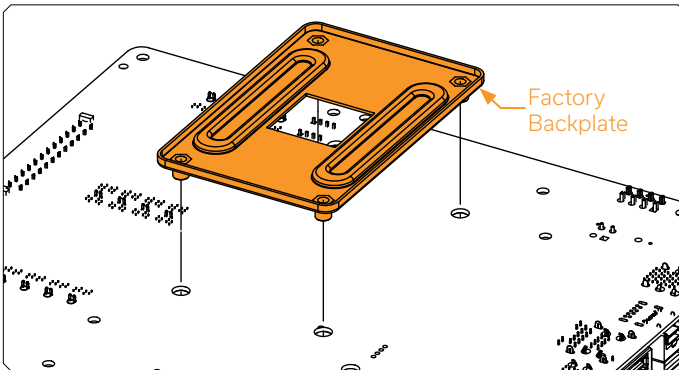
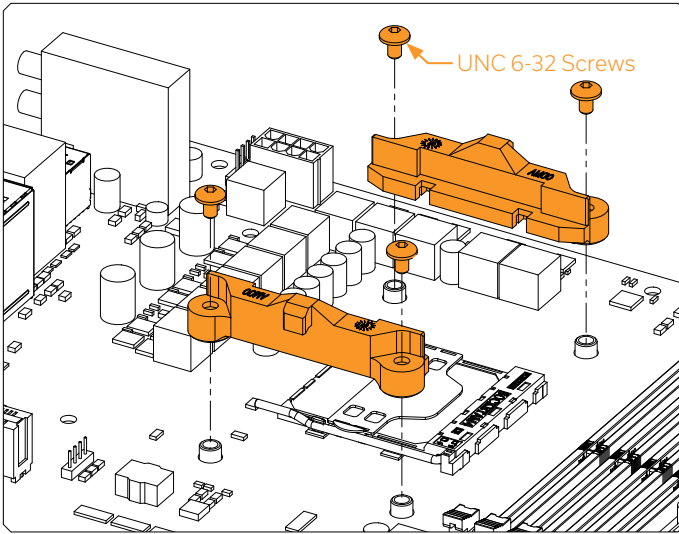
After removing the mention screws also remove two (2) remaining screws from the front side of the motherboard using Phillips head screwdriver and take off the factory provided backplate.

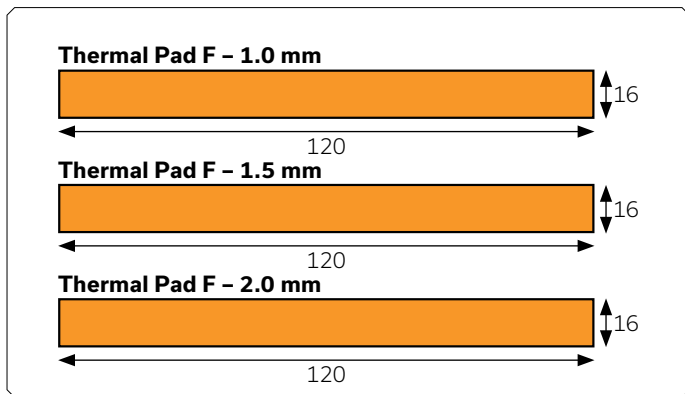
### REMOVING STOCK COOLER

Remove all encircled screws. There are four (4) MOSFET screws on the back of the motherboard that needs to be removed. Additional three (3) screws needs to be removed to remove the plastic I/O cover. Store the screws for later use. You can attach the I/O cover back, after you mount the Monoblock.

## REMOVING OF THE ORIGINAL PLASTIC HOLD-DOWN AND THE FACTORY BACKPLATE

Using Philips-head screwdriver remove the four (4) UNC 6-32 screws securing the original plastic hold-down clamps around the socket as shown on the sketch. Remove the original backplate and the hold-down clamps.





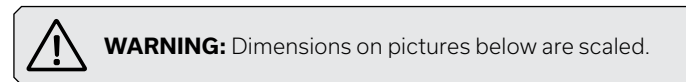
## APPLYING THERMAL COMPOUND

Apply thermal compound on CPU heat spreader (IHS) with enclosed EK-TIM Ectotherm thermal grease. The quantity of about two rice grains is just about right. There is no need to cover the whole IHS. Applying too much thermal grease will have negative impact on the cooling performance!

## CUTTING THERMAL PADS

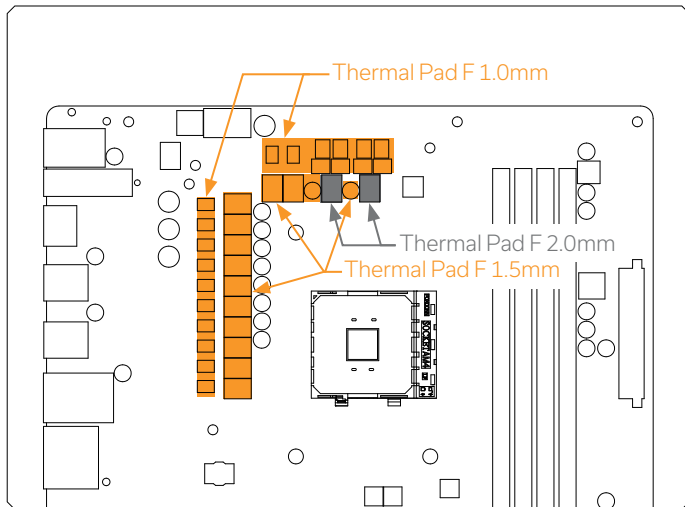
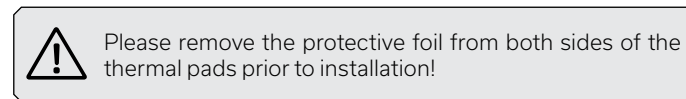
Your block comes with thermal pads which needs to be trimmed in order to fit the voltage regulation area (MOSFET) on the motherboard's circuit board.

1. Thermal PAD F 1,0mm - (120x16mm) EAN: 3830046996732
2. Thermal PAD F 1,5mm - (120x16mm) EAN: 3830046996749
3. Thermal PAD F 2,0mm - (120x16mm) EAN: 3830046996756

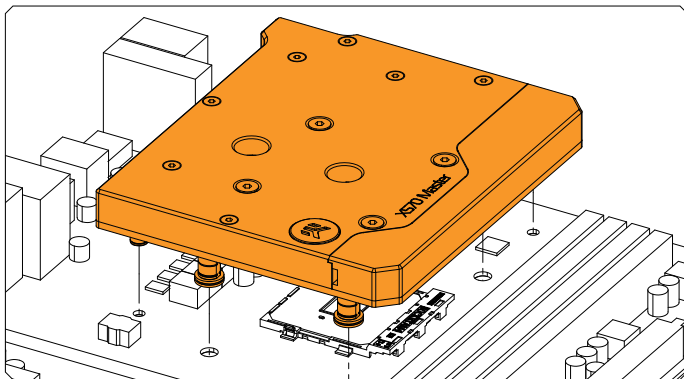


## PLACING THERMAL PADS ON THE MOTHERBOARD

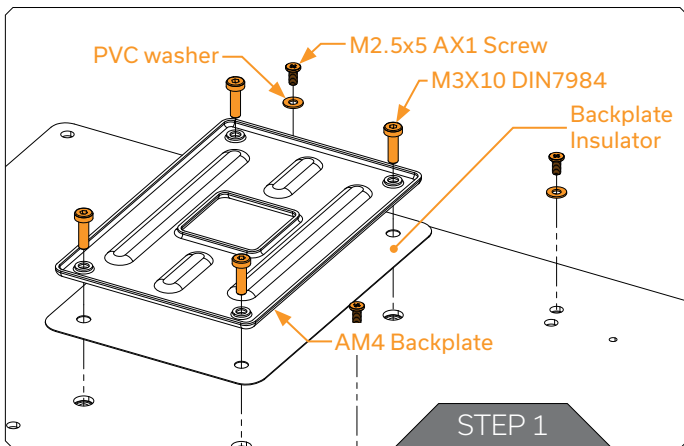
Place thermal pads on PCB as shown on the picture.



## PLACING THE BLOCK ON TO MOTHERBOARD



Place the EK-Quantum Momentum X570 Aorus Master Monoblock series water block to the motherboard or vice versa (as shown on the photo). Make sure that mounting holes are aligned.



## ATTACHING BLOCK ON THE MOTHERBOARD

### STEP 1

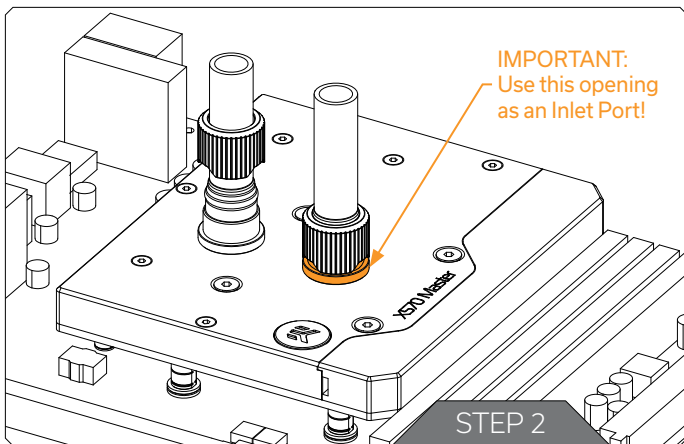
Prior to fastening the screws please make sure the mounting holes on the motherboard's circuit board are aligned with the water block.

**Mosfet part:** Use three (3) M2.5 x 5 AX1 Screws with PVC washers. Tighten the screws evenly. Do not use excessive force when tightening the screws.

**CPU part:** Use four (4) M3X10 DIN 7984 with screws. Tighten the screws using enclosed 2mm Allen Key.



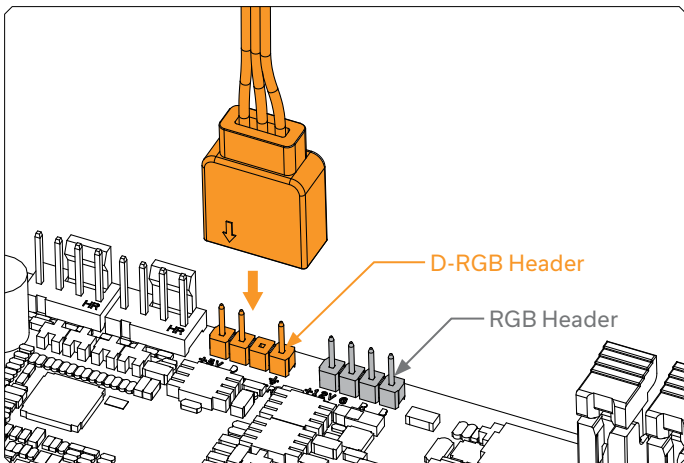
Do not forget install the Backplate Insulator and AM4 Backplate (as shown on the photo).



## STEP 2

For the EK-Quantum Momentum X570 Aorus Master series water block to operate properly the G1/4 port nearest to the right edge of the water block **MUST BE USED AS THE INLET PORT**.

EK recommends the use of EK-Fittings. When using fittings other than EK series please use hose clamps or appropriate substitute to secure the tubing to the barb. The use of biocide containing and corrosion inhibiting coolant is always recommended for any liquid cooling system.



## CONNECTING THE D-RGB LED STRIP

Plug the 3-pin connector from Monoblock D-RGB LED strip to the motherboard.

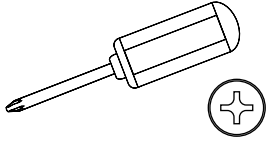


Please ensure that the arrow indicated on the connector is plugged into the +5V line as indicated on your motherboard. Failure to do so will damage your motherboard or LED strip.

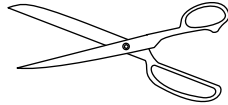


## REQUIRED TOOLS

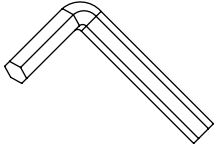
Phillips-head screwdriver



Scissors



Allen Key



## SUPPORT AND SERVICE

For assistance please contact:

<http://support.ekwb.com/>

EKWB d.o.o.  
Pod lipami 18  
1218 Komenda  
Slovenia - EU


## SOCIAL MEDIA

 EKWaterBlocks

 @EKWaterBlocks

 ekwaterblocks

 EKWBofficial

 ekwaterblocks

