






## SUPPORT AND SERVICE

For assistance please contact:  
<http://support.ekwb.com/>

EKWB d.o.o.  
Pod lipami 18  
1218 Komenda  
Slovenia - EU

## SOCIAL MEDIA

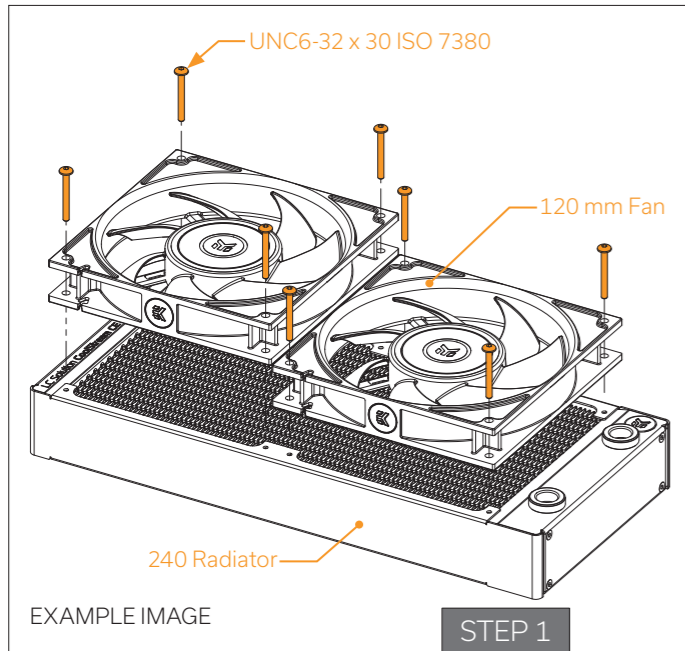
-  EKWaterBlocks
-  @EKWaterBlocks
-  ekwaterblocks
-  EKWBofficial
-  ekwaterblocks



## INSTALLING THE RADIATOR AND FANS



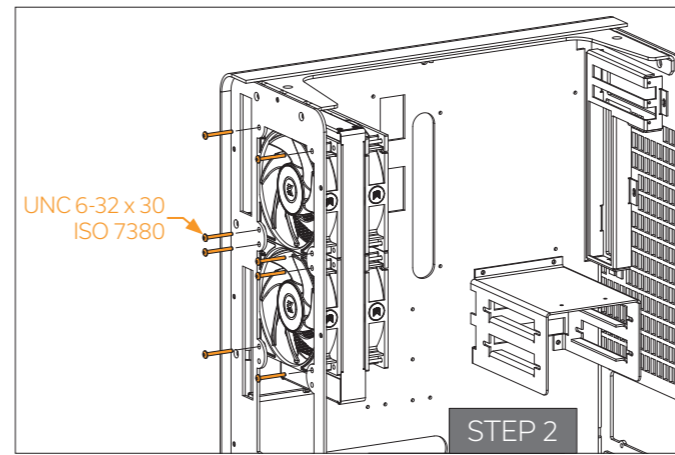
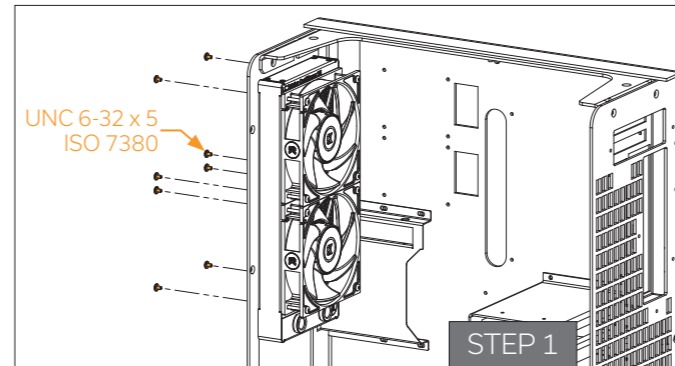
## INSTALLING THE FANS



### STEP 1

Take the enclosed four UNC 6-32 x 30 (30 mm long) screws for each fan and screw them in. The number of enclosed screws depends on the radiator model. Use the enclosed 2mm Allen key to tighten the screws in a clockwise direction. Don't use excessive force while tightening the screws.

## INSTALLING THE RADIATOR



The position of the radiator in the PC case will depend on the size, fan mounting holes, and hardware you have installed. You have to make sure that the radiator and fans fit into the chassis. Usually, the chassis has standard fan mounting holes so you should look for holes with a spacing of 105 mm for standard 120 mm computer cooling fans or 125 mm for 140 mm computer cooling fans.

### STEP 1 INSTALLATION METHOD (PART 1)

Take the four UNC 6-32 x 5 mm (5 mm long) screws for each fan and guide them through the holes on the chassis to screw them into the threaded holes on the radiator. Tighten them in a clockwise direction using the Allen key.

### STEP 2 INSTALLATION METHOD (PART 2)

Take the four UNC 6-32 x 30 mm (30 mm long) screws for each fan and guide them through the holes on the chassis and fans to screw them into the threaded holes on the radiator. Tighten them in a clockwise direction using the enclosed Allen key.