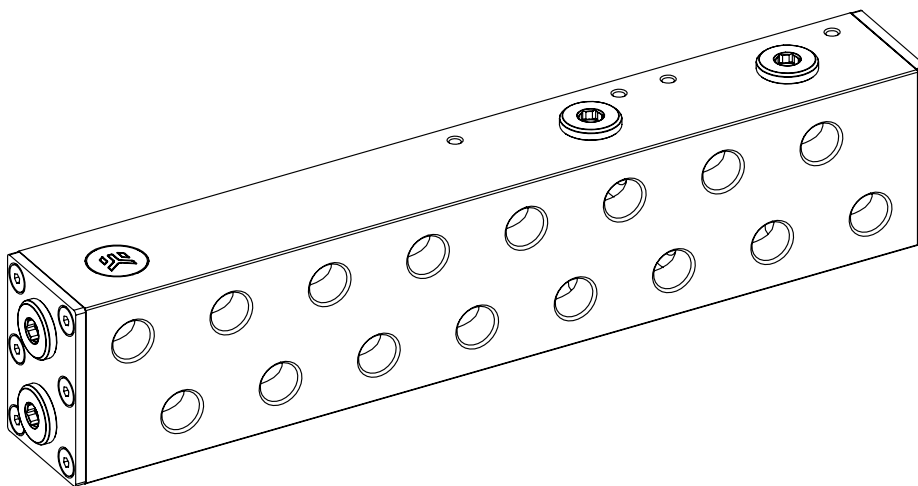


EK-Pro Manifold 2CPU 6GPU - Acetal



Please note the installation of the product is intended to be undertaken by an adequately trained and experienced person. You are installing the product at your own risk. If you are not properly trained or experienced or feel unsure about the installation procedure, please refrain from installing the product yourself and contact our tech support for assistance. We disclaim our liability for any damages to the product as well as incidental, consequential, or indirect damages incurred due to improper or inappropriate installation.

Before you start using this product, please follow these basic guidelines:

Please carefully read the manual before beginning the installation process.

The EK Fittings require only a small amount of force to screw them firmly in place since the liquid seal is ensured by the rubber O-ring gaskets.

The use of corrosion-inhibiting coolants is always recommended for liquid cooling systems, and mandatory for nickel-plated water blocks.

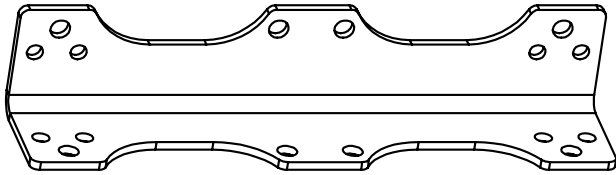
Do not use pure distilled water! For best results, EK recommends the use of EK-Cryo Fuel coolants.

Make sure to thoroughly bleed air out of your water block, or you will not reach optimal performance.

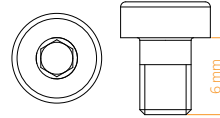
TABLE OF CONTENTS

BOX CONTENTS	4
MAIN PARTS	5
MANIFOLD CUSTOMIZATION	6
MOUNTING THE MANIFOLD	7
INSTALLING THE FITTINGS	8
SUPPORT AND SERVICE	9
SOCIAL MEDIA	9

BOX CONTENTS



Mounting plate manifold 101075



Screw M4x6 DIN7984 (4 pcs)



Allen Key 6 Balck 101357 (1 pc)

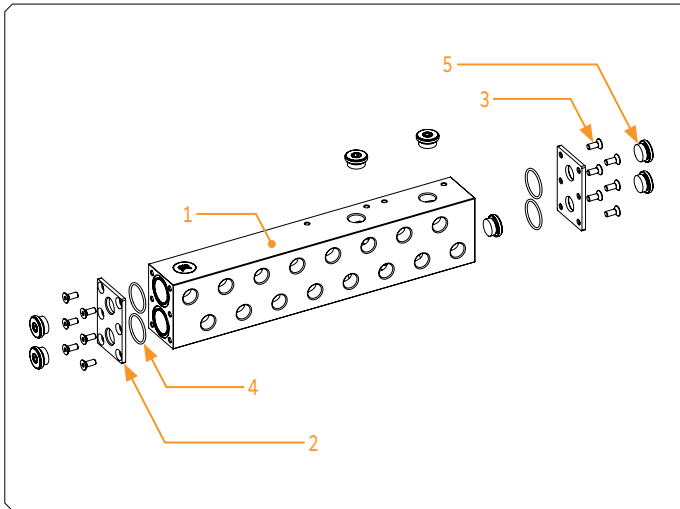


Tx20 L-Shaped wrench (1 pc)



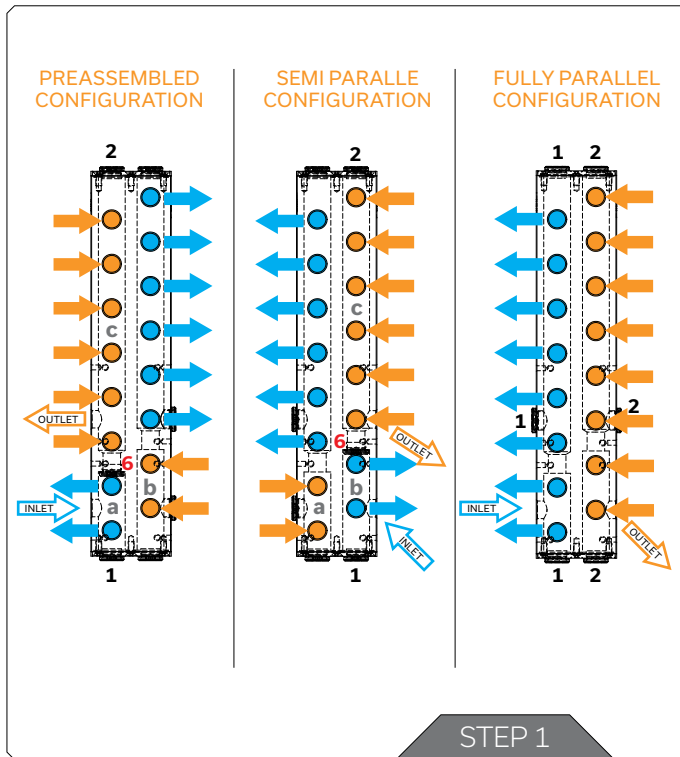
Allen Key 2.5 mm (1 pc)

MAIN PARTS



Position	EAN	Description	Quantity
1	101437	Top Acetal - MANIFOLD 6-2	1
2	100698	Manifold cover 4-2 Cover	2
3	104370	Screw M4x10 ISO14587 Torx	12
4	5034	O-ring 20x1.5 EPDM70	4
5	3830046999153	EK-PLUG G1/4 MS	7

MANIFOLD CUSTOMIZATION



STEP 1

EK-MANIFOLD is very easy to customize. The first configuration shown on this page is preassembled by EK. On the left side some possible setups are shown, two Semi Paralle and Fully parallel setup (without internal plug [6]).

a, b, c - manifold compartments

1 - optional inlet

2 - optional outlet

Orange colour - return line

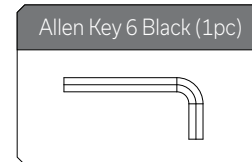
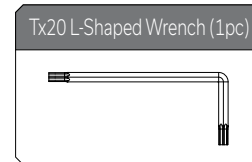
Blue colour - feed line

6 - internal plug

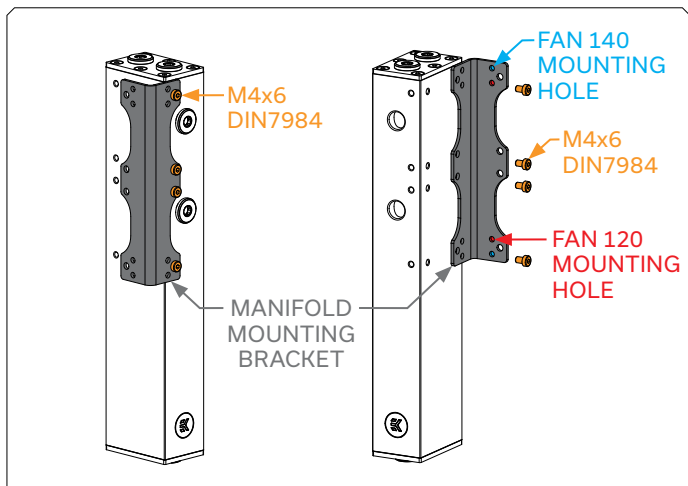
In parallel setup do not mix water blocks (WB) with different pressure drop.

Semi paralle setup is intended for cooling loops with different pressure drop WBs where compartment [a] feeds more restrictive WBs and compartment [b] feeds less restrictive WBs.

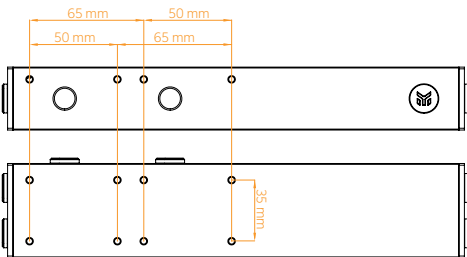
In order to unscrew manifold cover to change configuration use TX20 L-Shaped Wrench and to unscrew plugs use Allen Key 6 Black.



MOUNTING THE MANIFOLD



MANIFOLD MOUNTING HOLES



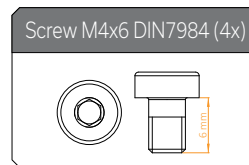
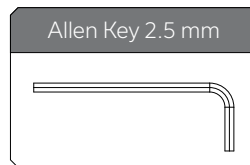
STEP 1

STEP 1

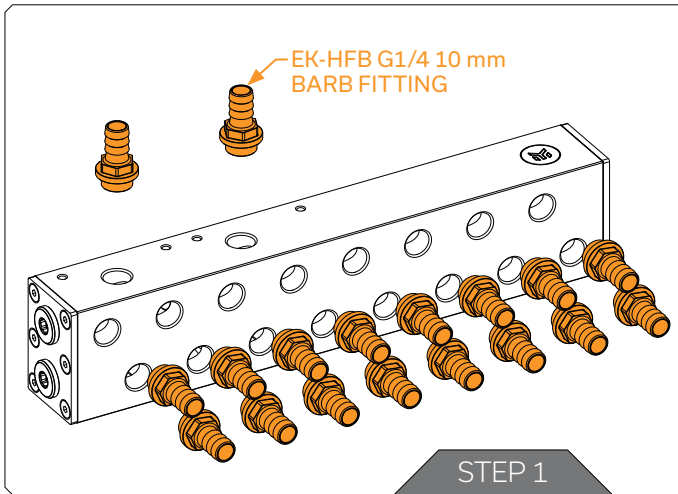
For MANIFOLD mounting dedicated bracket is enclosed. M4 threaded mounting holes are positioned on manifold back and both lateral sides. Holes on back side could be used to mount manifold directly on EK-UNI Pump Bracket / Holder.

With enclosed manifold holder, manifold can be mounted on fan 120/140 holes. For mounting we use screws M4x6 DIN7984 (4x) that are included in the box.

For this step, you will need:



INSTALLING THE FITTINGS



STEP 1

Carefully identify the direction of the flow in your circuit. EK recommends the use of EK-HFB G1/4 10 mm barb fittings and EK-Tube ZMT 10/16 mm Matte Black tubing.

It is essential to carry out a leak test after connecting the manifold to the system.

EK recommends using the EK-Loop Leak Tester Flex:
<https://www.ekwb.com/shop/ek-loop-leak-tester-flex>



VERY IMPORTANT NOTICE: Once the installation is completed, it is a recommended practice to test the cooling circuit for leaks prior to powering up the computer. We recommend a 24 hour leak test prior to powering up the computer. Do not test the water block using city water pressure. This will rupture the top of the housing and render the block unusable (and will void your warranty). While all efforts have been made to provide the most comprehensive tutorial possible, EK Water Blocks assumes no liability expressed or implied for any consequential damage(s) occurring to your equipment as a result of using EK Water Blocks cooling products, either due to errors or omissions on our part in the above instructions, or due to failure or defect in the EK Water Blocks cooling products.


SUPPORT AND SERVICE

In case you need assistance or wish to order spare parts, please contact: <https://www.ekwb.com/customer-support/>


For spare parts orders, refer to the page with "MAIN PARTS" where you can find the EAN number of each part you might need.

Include the EAN number with quantity in your request.


SOCIAL MEDIA

 EKWaterBlocks

 @EKWaterBlocks

 ekwaterblocks

 EKWBofficial

 ekwaterblocks

