



# Installation and mounting manuals for EK-MOSFET ASUS M5G water block:

This product is intended for installation only by expert users. Please consult with a qualified technician for installation. Improper installation may result in damage to your equipment. EK Water Blocks assumes no liability whatsoever, expressed or implied, for the use of these products, nor their installation. The following instructions are subject to change without notice. Please visit our web site at [www.ekwaterblocks.com](http://www.ekwaterblocks.com) for updates. Before installation of this product please read important notice, disclosure and warranty conditions printed on the back of the box or our home page.

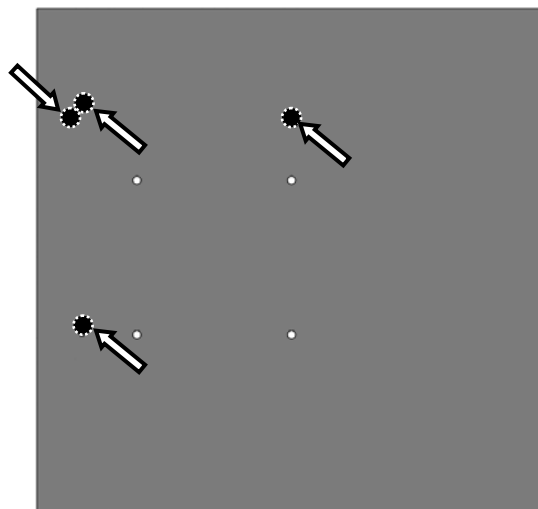
**The barb hose fittings require only a small amount of force to screw them in; otherwise the high flow fittings might break. These fittings do not need to be tightened with much force because the liquid seal is made using o-rings. The use of corrosion inhibitors or quality premix coolants is always strongly recommended for any liquid cooling system.**

## STEP 1: GENERAL INFORMATION. Sample picture of ASUS Maximus V Gene motherboard.

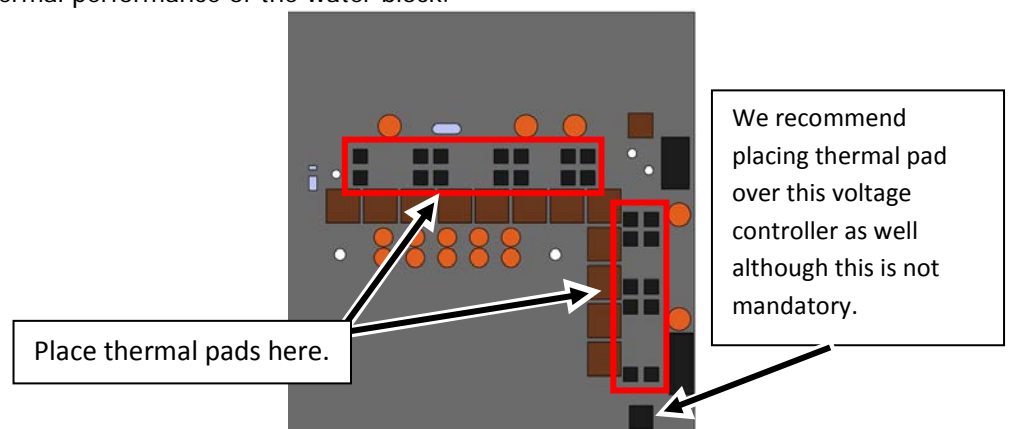


## STEP 2: PREPARING YOUR MOTHERBOARD

1. **REMOVING STOCK COOLER.** Remove all four (4) screws pins holding the MOSFET heatsink assembly. Whole heat-pipe heatsink must be removed.

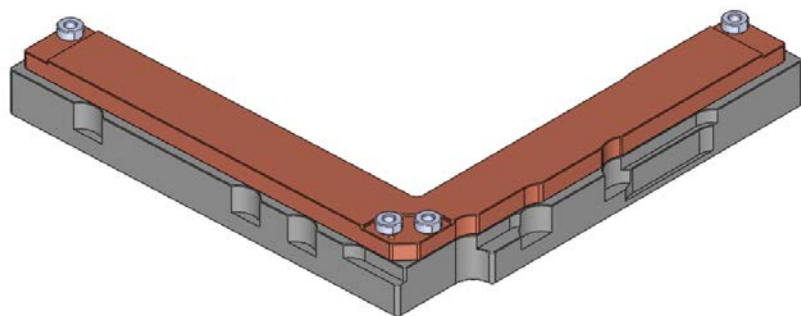


2. **CUTTING THERMAL PADS.** Your block comes with two stripes of thermal pads (90x15x1mm), which have to be trimmed and placed on MOSFET chips. EK recommends using small drops of electrically non-conductive (for example: Arctic Cooling MX-2™ or MX-4™) thermal grease on each phase regulator (that is being covered with thermal pad; see picture below) in order to even further improve the thermal performance of the water block.

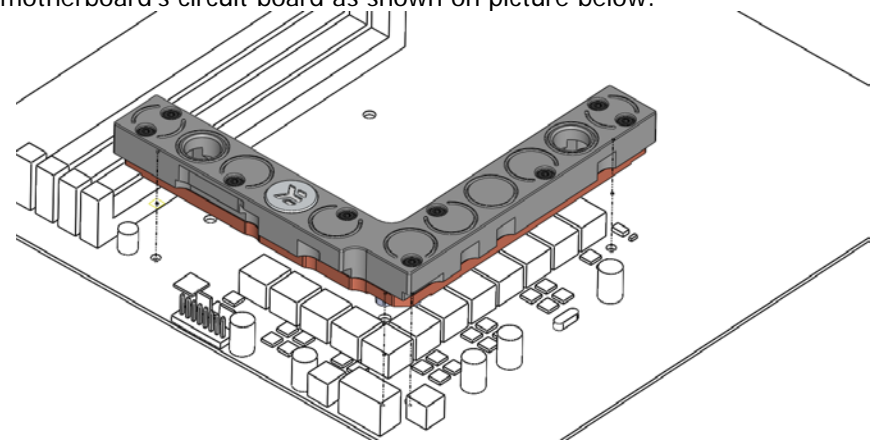


## STEP 3: PREPARING YOUR WATERBLOCK

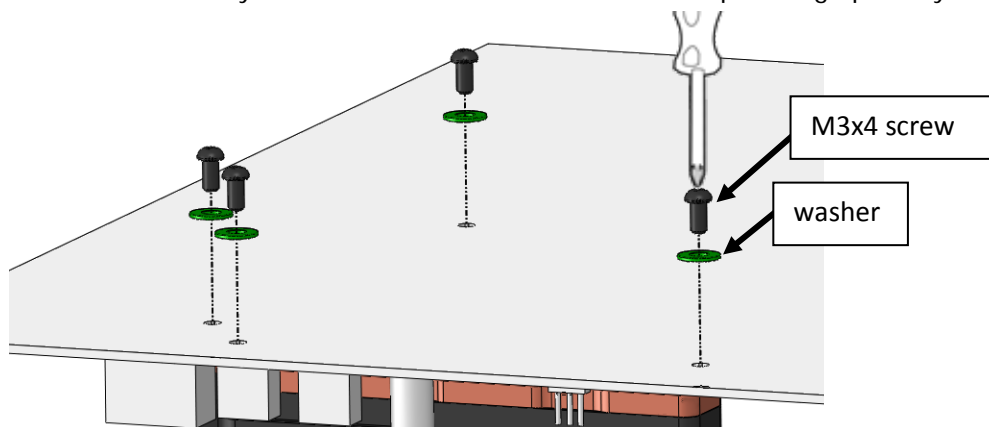
1. **STANDOFFS ON WATERBLOCK.** Your waterblock comes preinstalled with four (4) brass standoffs (height 2.5mm) which prevent overtightening of the screws. Nonetheless avoid using excessive mounting force as you may damage threads and/o hardware.



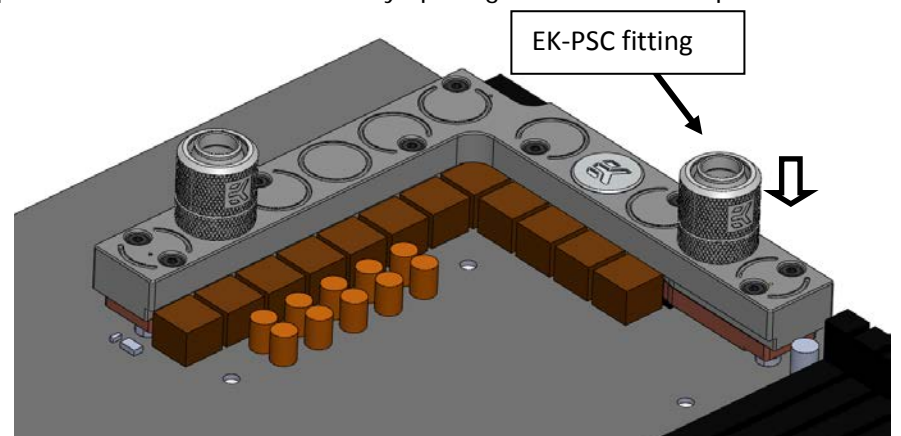
2. **PLACING WATERBLOCK ON MOTHERBOARD.** Place waterblock on VRM section of the motherboard's circuit board as shown on picture below:



3. **ATTACHING WATERBLOCK ON MOTHERBOARD.** When waterblock is safely placed on motherboard, please align the openings and fasten the waterblock using the enclosed M3x4 screws and plastic washers to the motherboard's circuit board. It is recommended that you check for unwanted contacts before powering up the system.



4. **POSITIONING FITTINGS AND CONNECTING TO WATER CIRCUIT.** Attach the liquid cooling tubes and connect the water-block(s) into the cooling circuit. To ensure that the tubes are securely attached to the barb/fittings, please use hose clamps or an appropriate substitute. You can use any opening as an inlet/outlet port.



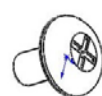
## REQUIRED TOOLS AND MOUNTING SCREWS:



scissors



philips screwdriver



4x screws M3x4 DIN7985



4x PVC M3 washers