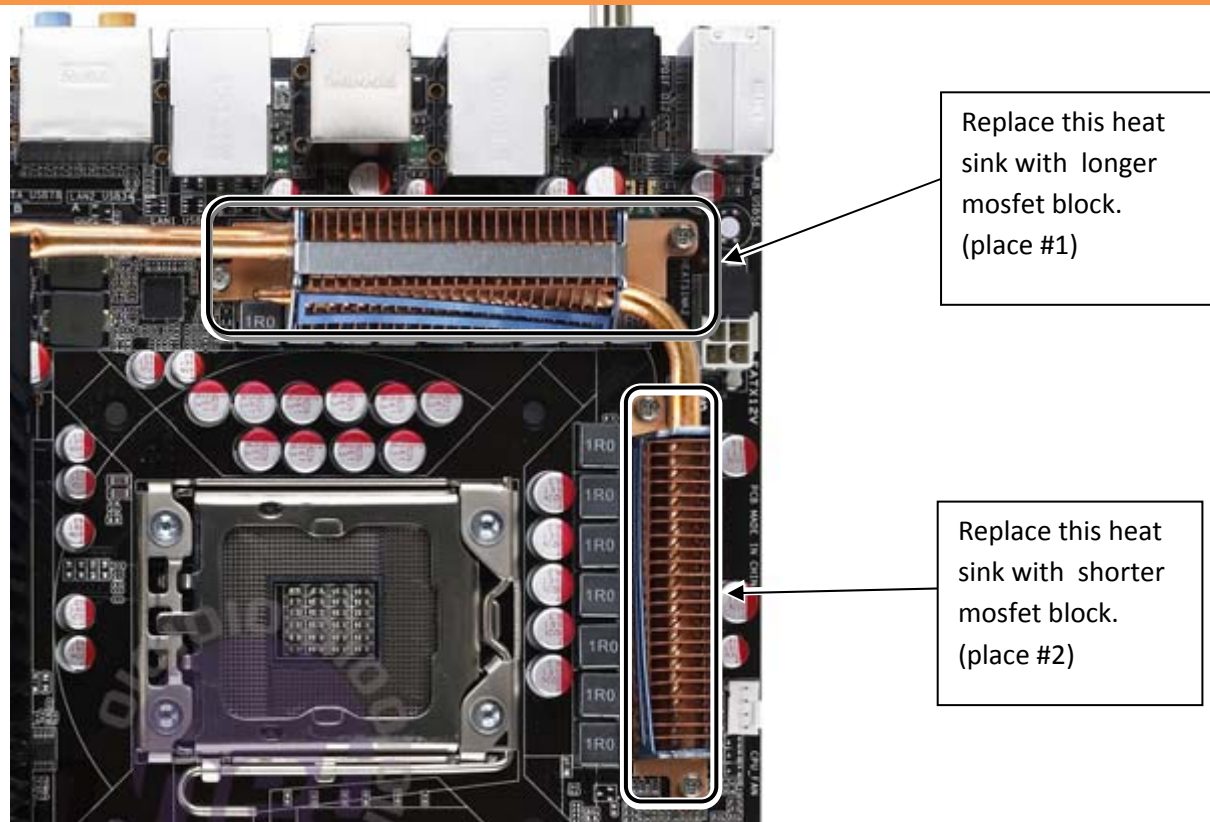


This product is intended for installation only by expert users. Please consult with a qualified technician for installation. Improper installation may result in damage to your equipment. EK Water Blocks assumes no liability whatsoever, expressed or implied, for the use of these products, nor their installation. The following instructions are subject to change without notice. Please visit our web site at www.ekwaterblocks.com for updates. Before installation of this product please read important notice, disclosure and warranty conditions printed on the back of the box.

The barb hose fittings require only a small amount of force to screw them in; otherwise the high flow fittings might break. These fittings do not need to be tightened with much force because the liquid seal is made using o-rings.

STEP 1: GENERAL INFORMATION. Sample picture of mosfet area on P6T Deluxe motherboard

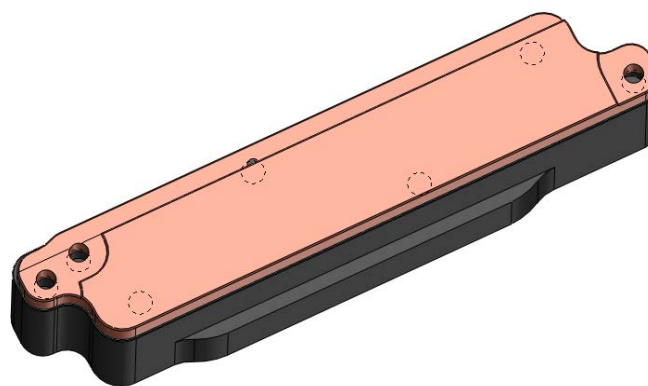


STEP 2: PREPARING YOUR MOTHERBOARD

1. Place Mosfet Block Part 1 (longer) in place #1 and Part 2 (shorter) in place of #2. Use enclosed M3×8mm screws with washer to install the Mosfet blocks. (Do not use high force to tighten the block, as this would cause bending of motherboard and might damage mosfet chips.) Copper Part 2 contains 3 holes. Use mounting combination (see right bottom picture) according to the type of your motherboard.



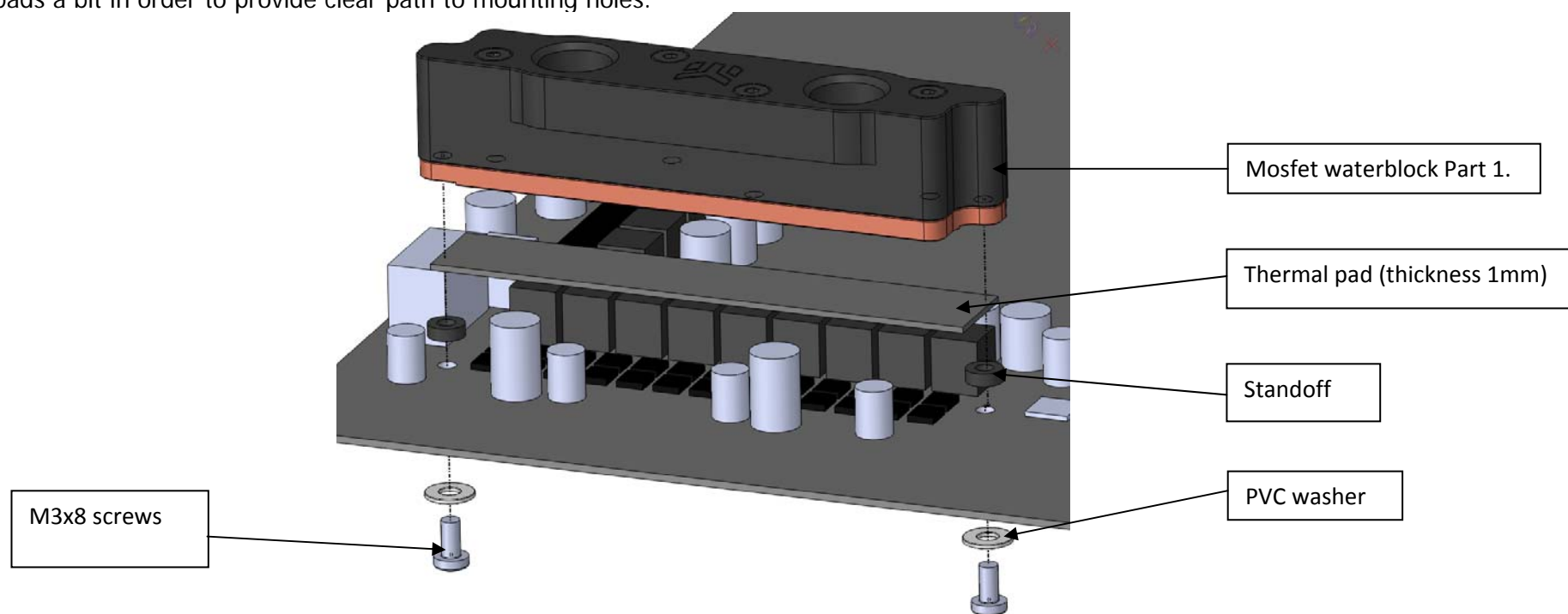
X58 series Part 1 Mosfet



X58 series Part 2 Mosfet

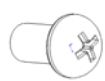
STEP 3: ATTACHING WATERBLOCKS

1. Please attach waterblock to your motherboard like shown on picture bellow with all mounting items and thermal pads provided by EKWB. You might need to trim thermal pads a bit in order to provide clear path to mounting holes.



After successful installation of Part1 repeat step with Part2.

REQUIRED TOOLS AND MOUNTING SCREWS:



4 x screws M3x8 7985DIN