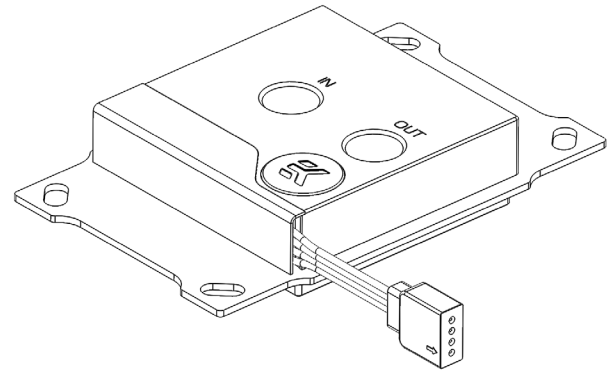
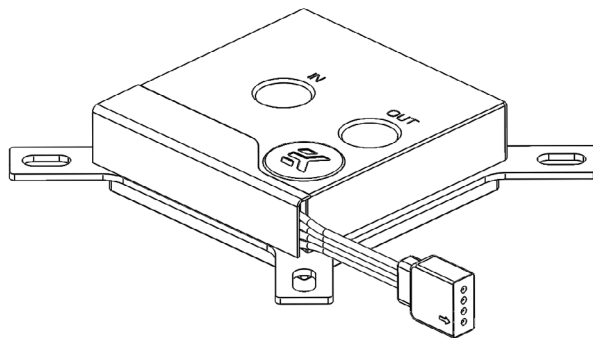




# EK-Supremacy Classic RGB

CPU WATER BLOCK



This product is intended for installation only by expert users. Please consult with a qualified technician for installation. Improper installation may result in damage to your equipment. EK Water Blocks assumes no liability whatsoever, expressed or implied, for the use of these products, nor their installation. The following instructions are subject to change without notice. Please visit our web site at [www.ekwb.com](http://www.ekwb.com) for updates. Before installation of this product please read important notice, disclosure and warranty conditions printed on the back of the box.

Before you start using this product please follow these basic guidelines:

**Please carefully read the manual before beginning with the installation process!**

**Please remove your graphics card from the computer to assure safest mounting process in order to prevent any possible damages to your GPU and/or graphics card circuit board (PCB).**

**The EK Fittings require only a small amount of force to screw them firmly in place since the liquid seal is ensured by the rubber O-ring gaskets.**

**The use of corrosion inhibiting coolants is always recommended for liquid cooling systems, and mandatory for nickel plated water blocks!**

**Do not use pure distilled water! For best results EK recommends the use of EK-CryoFuel coolants!**

**Make sure to thoroughly bleed air out of your water block, or you will not reach optimal performance!**

# TABLE OF CONTENT

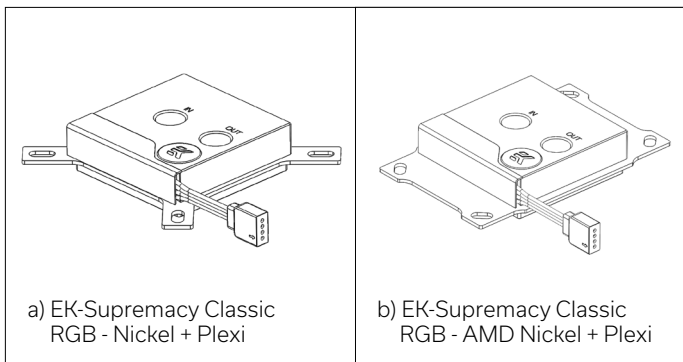
<b>GENERAL INFORMATION ON WATER BLOCK COMPATIBILITY</b> .....	<b>4</b>
<b>WHAT IS ENCLOSED</b> .....	<b>4</b>

## QUICK INSTALLATION GUIDE

<b>INSTALLING THE WATER BLOCK</b> .....	<b>5</b>
LGA-20XX SOCKET MOTHERBOARDS.....	5
LGA-115X SOCKET MOTHERBOARDS.....	7
AMX AND FMX SOCKET MOTHERBOARDS.....	8
<b>CONNECTING THE RGB LED STRIP</b> .....	<b>10</b>
CONNECTING THE RGB LED STRIP.....	10

<b>SUPPORT AND SERVICE</b> .....	<b>11</b>
<b>SOCIAL MEDIA</b> .....	<b>11</b>

## GENERAL INFORMATION ON WATER BLOCK COMPATIBILITY



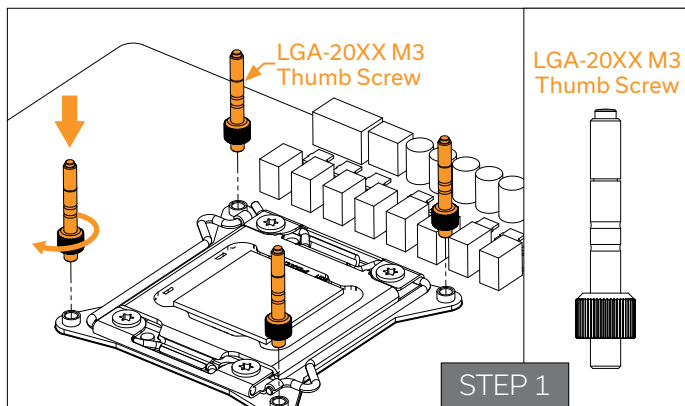
This CPU Liquid cooling units are supporting the following CPU sockets:

- a) EK-Supremacy Classic RGB - Nickel + Plexi:
  - **Intel® Socket LGA-115x**
  - **Intel® Socket LGA-20XX**
- b) EK-Supremacy Classic RGB - AMD Nickel + Plexi:
  - **AMD® AMx**
  - **AMD® FMx**

## WHAT IS ENCLOSED

- a) EK-CPU Classic RGB – Nickel + Plexi CPU water block:
  - **EK-CPU Supremacy Classic RGB – Nickel + Plexi CPU water block.**
  - **CPU mounting mechanism:**
    - M3 threaded thumb screws (4 pcs)
    - LGA-20XX M3 threaded mounting studs (4 pcs)
    - Springs (4 pcs)
    - M3 threaded thumb nuts (4 pcs)
    - Washers (4 pcs)
  - **EK- CPU Supremacy Classic RGB – Nickel + Plexi Backplate:**
    - Backplate rubber gasket
    - Backplate for Intel® LGA-115x socket motherboards
  - **Thermal grease**
- b) EK-Supremacy Classic RGB - AMD Nickel + Plexi water block:
  - **EK-CPU Supremacy Classic RGB – Nickel + Plexi CPU water block.**
  - **CPU mounting mechanism:**
    - M3 threaded thumb screws (4 pcs)
    - Plastic standoffs
    - Springs (4 pcs)
    - M3 threaded thumb nuts (4 pcs)
  - **Thermal grease**

## INSTALLING THE WATER BLOCK



### LGA-20XX SOCKET MOTHERBOARDS

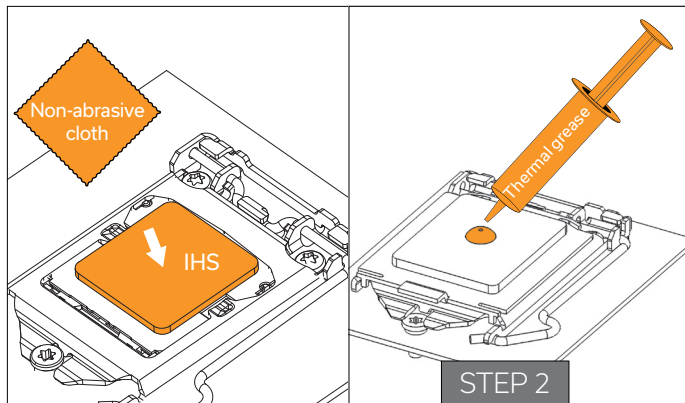
#### STEP 1

Prepare the foil bag with mounting mechanism, which is enclosed with the CPU water block delivery.

Install four (4) specific LGA-20XX M3 thumb screws into four M3 threaded stubs on the LGA-20XX socket integrated latch mechanism (ILM). The screws are to be installed using no tools (i.e. pliers).



It is recommended to remove the motherboard from the PC chassis before proceeding with installation of the CPU water block because of the space constraint limitations of various computer cases.



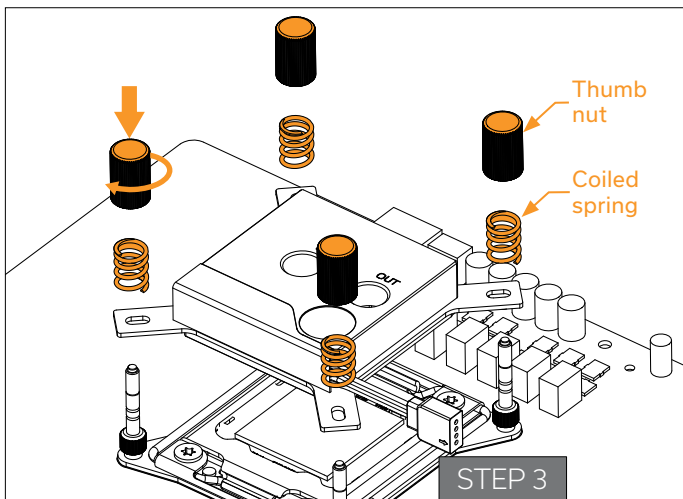
#### STEP 2

**Cleaning the CPU:** Wipe the CPU's contact surface (by using non-abrasive cloth or Q-tip, as shown on sample photo).

**Applying thermal compound:** EK recommends blob or line method of applying the enclosed thermal compound to the CPU heat spreader (IHS) - see sample photo on right.



The quantity of about two rice grains is just about right. There is no need to cover the whole IHS. Applying too much thermal grease will have negative impact on the cooling performance!



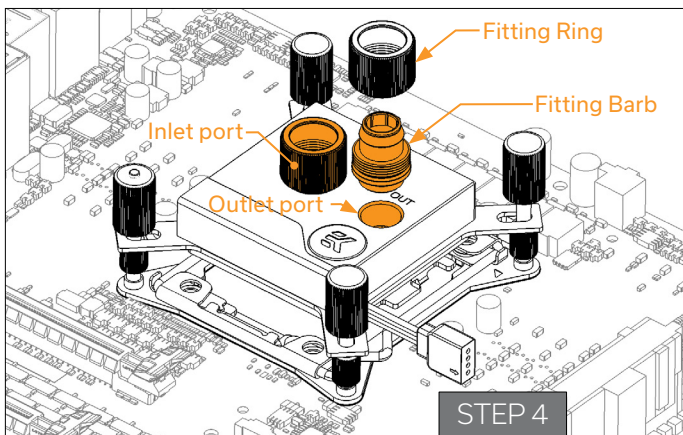
### STEP 3

Align the water block over the mounting screws on the LGA-20XX motherboard with pre-installed CPU.



Before proceeding with the installation it is mandatory to remove the protective foil from the backside of the water block.

Place an enclosed compression spring and thumb nut over each M3 thumb screw. Start fastening two thumb nuts at a time, preferably in cross pattern and do not tighten them fully until all of them are partially screwed in. Then - using your fingers only - screw in all four thumb nuts until you reach the end of the thread.



### STEP 4

Tighten the fitting bars in clockwise direction until the gasket underneath is compressed.

The installation of the CPU water block is now complete.



With EK-Supremacy Classic RGB series water blocks it is mandatory to use the port that is nearest to the center of the water block as INLET port. Mixing the ports may result in less than ideal thermal performance of the water block.

## LGA-115x SOCKET MOTHERBOARDS

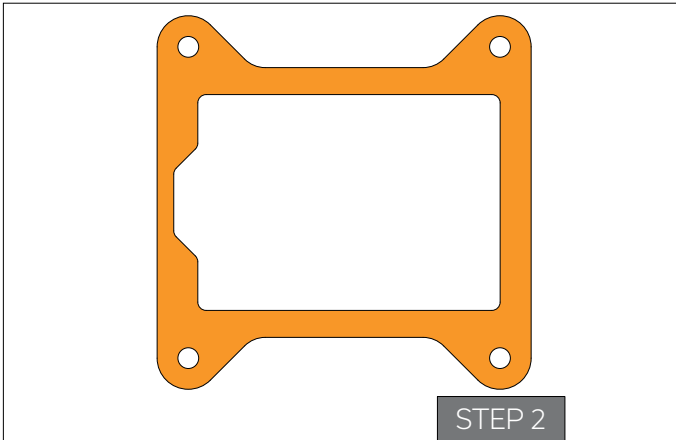
### STEP 1

If already installed, please remove the motherboard from your computer and place it on an even surface with front facing down.

### STEP 2


#### Preparing backplate rubber gasket

The enclosed rubber gasket is essential part of the backplate and mounting system and must be used every time you install this water block on your motherboard.

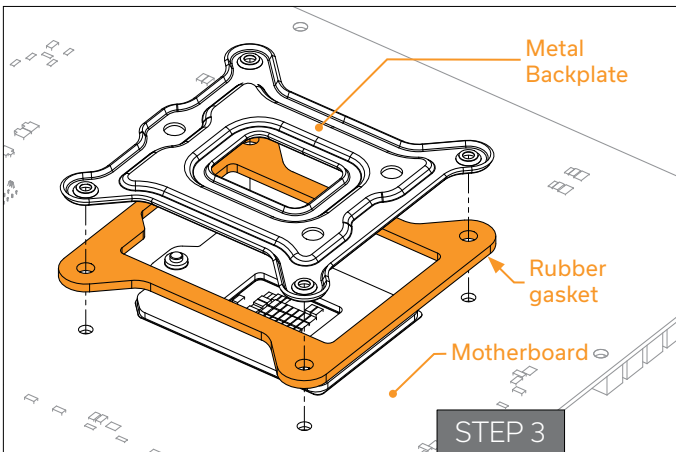


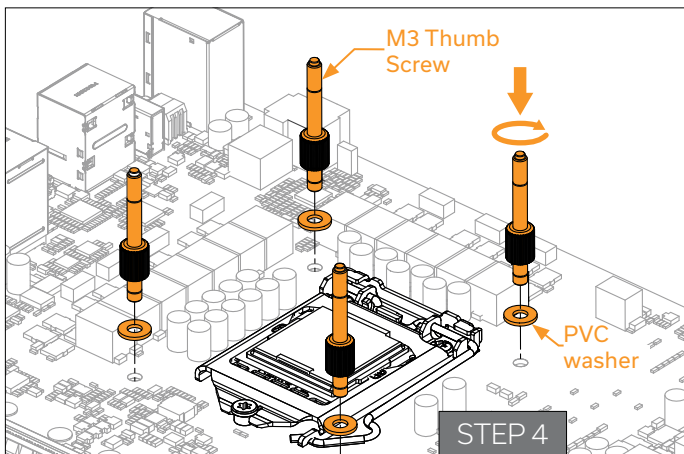
### STEP 3

Install backplate rubber gasket and place metal backplate for Intel® LGA-115x socket to the back of your motherboard RIBBED SIDE UP! (facing away from the motherboard) Align the holes on the motherboard with holes on rubber gasket and backplate.

 Make sure to orientate the rubber gasket to fit past the CPU socket ILM backplate. On certain ITX form factor motherboards the rubber gas-ke-t may need to be trimmed using household scissors.

Carefully rotate motherboard assembly with front side facing up with one hand while holding the backplate and rubber in place with the other hand.



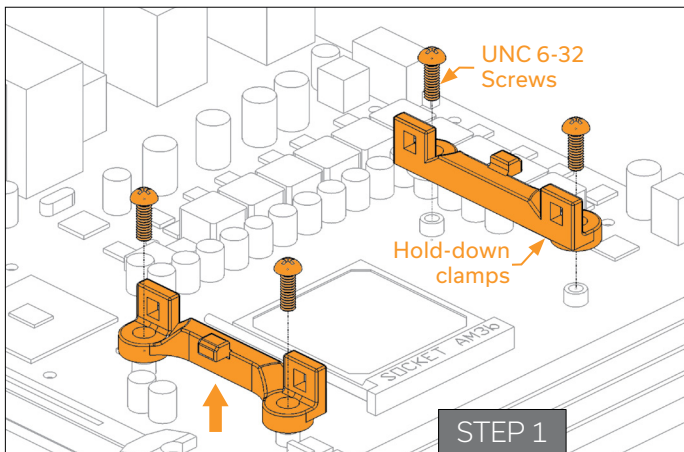


#### STEP 4

Install four (4) M3 thumb screws onto your motherboard. It is mandatory to put 0.7mm plastic washer underneath each of the M3 thumb screws. Tighten the screws to the metal backplate until you reach the end of the thread. Using tools (such as pliers) is not recommended.



Continue installation by following the instructions on page 5 from STEP 2!



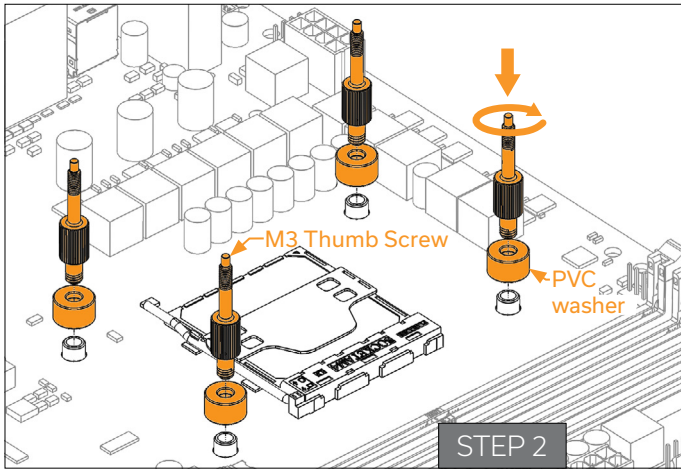
## AMx AND FMx SOCKET MOTHERBOARDS

#### STEP 1

##### Removing of the original plastic hold-down clamps:

Using Philips-head screwdriver remove the four UNC 6-32 screws securing the original plastic hold-down clamps around the socket as shown on the sketch. KEEP the original AMD® backplate and remove the hold-down clamps and store them away. See sketch for further part identification.





## STEP 2

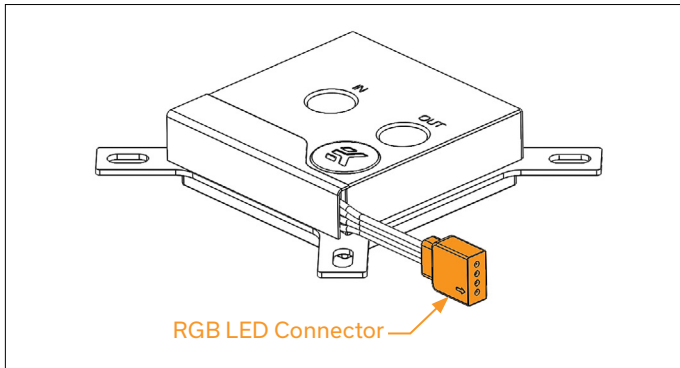
Prepare the foil bag with mounting mechanism, which is enclosed with the CPU water block delivery.

Install four (4) M3 thumb screws onto your motherboard. It is mandatory to put plastic AM4 standoff underneath each of the M3 thumb screws. The screws are to be installed using no tools (i.e. pliers).



Continue installation by following the instructions on page 5 from STEP 2

## CONNECTING THE RGB LED STRIP



## CONNECTING THE RGB LED STRIP

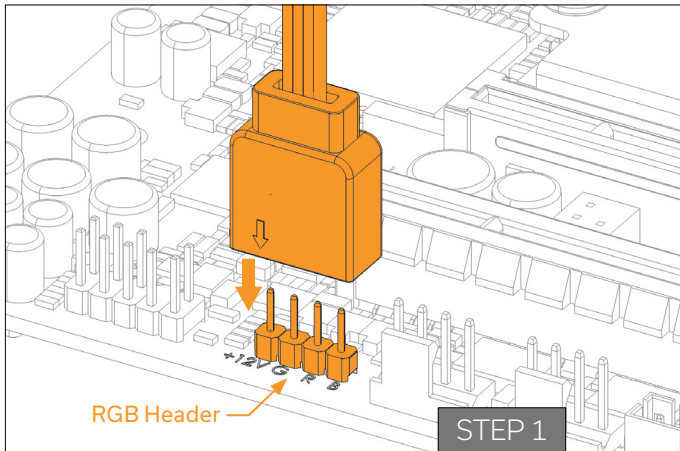
### STEP 1

Plug the 4-pin connector from Water block's LED light to the RGB HEADER on the motherboard. The LED will work if the pin layout on the header is as follows: **+12V G R B**.



Please ensure that the arrow indicated on the connector is plugged into the +12V line as indicated on your motherboard.

Failure to do so, will damage your motherboard or LED strip.




## SUPPORT AND SERVICE


For assistance please contact:


<http://support.ekwb.com/>

EKWB d.o.o.  
Pod lipami 18  
1218 Komenda  
Slovenia - EU


## SOCIAL MEDIA

 EKWaterBlocks

 @EKWaterBlocks

 ekwaterblocks

 EKWBofficial

 ekwaterblocks

