

This product is intended for installation only by expert users. Please consult with a qualified technician for installation. Improper installation may result in damage to your equipment. EK Water Blocks assumes no liability whatsoever, expressed or implied, for the use of these products, nor their installation. The following instructions are subject to change without notice. Please visit our web site at [www.ekwb.com](http://www.ekwb.com) for updates. Before installation of this product please read important notice, disclosure and warranty conditions printed on the back of the box.

## STEP 1: GENERAL INFORMATION. EK-MANIFOLD

EK-MANIFOLD is intended for users who has multiple GPUs and or CPUs. It allows fully parallel or semi parallel installation. Packed product is prepared to use it in semi parallel setup, that means that you can connect 1 or two CPUs and 4 to 2 GPUs, depends on product you have.

- 1) 1 x MANIFOLD
- 2) 4 x O-ring 20x1,5
- 3) 2 x Manifold cover
- 4) 6 x Screws M4x10 DIN7991
- 5) 6 x Plug G1/4
- 6) 1 x Plug G1/4

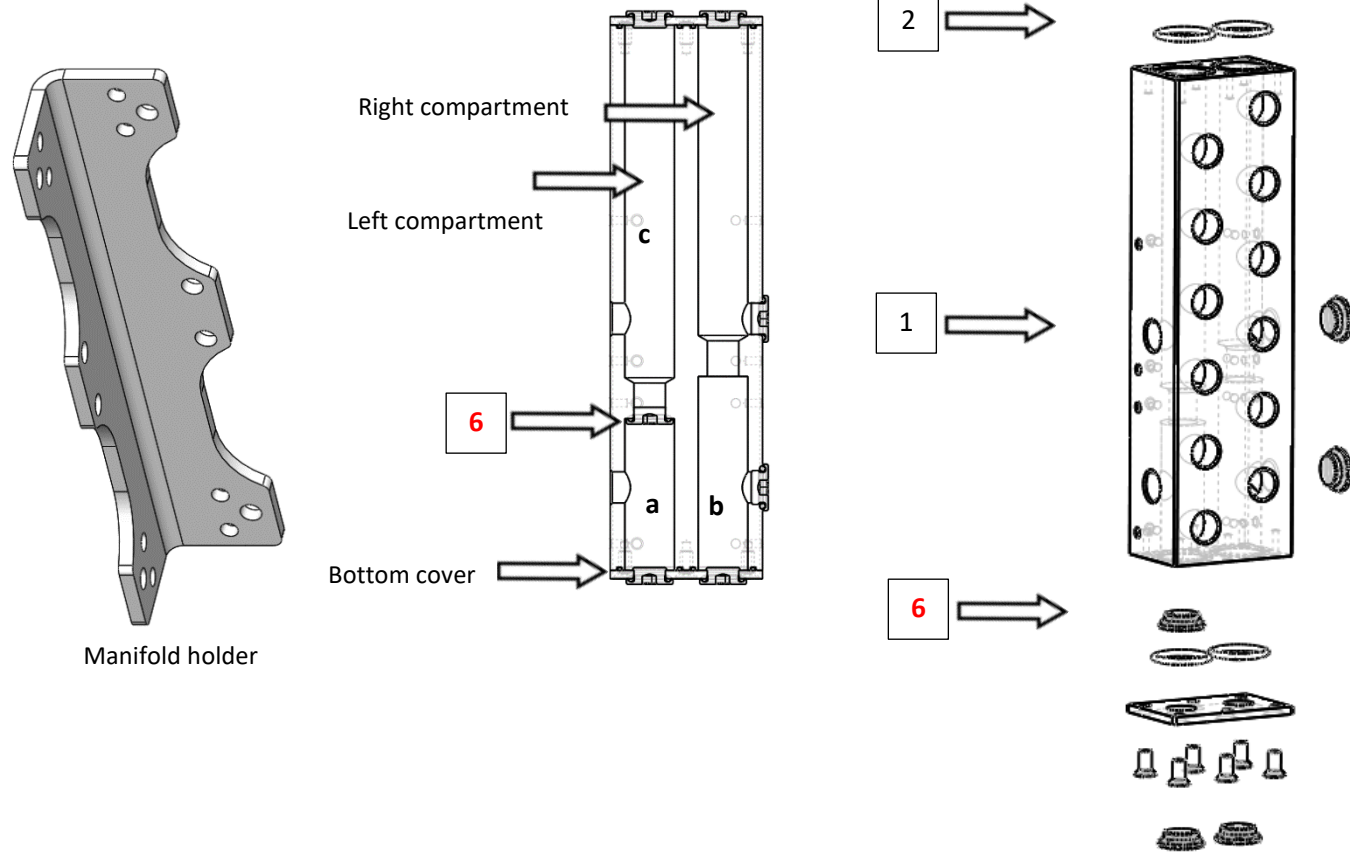
Enclosed:

- 1 x Allen key 6mm
- 1 x Allen key 2,5mm
- 1 x Manifold holder
- 4 x Screws M4 x 6mm DIN7984

EK-MANIFOLD is preassembled by EK. On the picture vertical position of manifold is shown. [6] is plug which is screwed inside left manifold compartment. [6] divides left compartment in two parts, bottom [a] and top [c]. This way manifold setup is semi parallel and prepares to be used for 2 CPUs and 4 GPUs.

[6] can be moved to compartment b or taken out, this way manifold can be customized to personal preferences.

Removing and mounting back of bottom cover demands tightening 6 screws M4x10 DIN7991 with torque 0.5Nm-0.7Nm.



## STEP 2: MANIFOLD CUSTOMIZATION

EK-MANIFOLD is very easy to customize. In the previous section basic configuration is shown, preassembled by EK. On bottom figure some possible setups are shown, two Semi Paralle and Fully parallel setup (without internal plug [6]).

a, b, c – manifold compartments

1 – optional inlet

2 – optional outlet

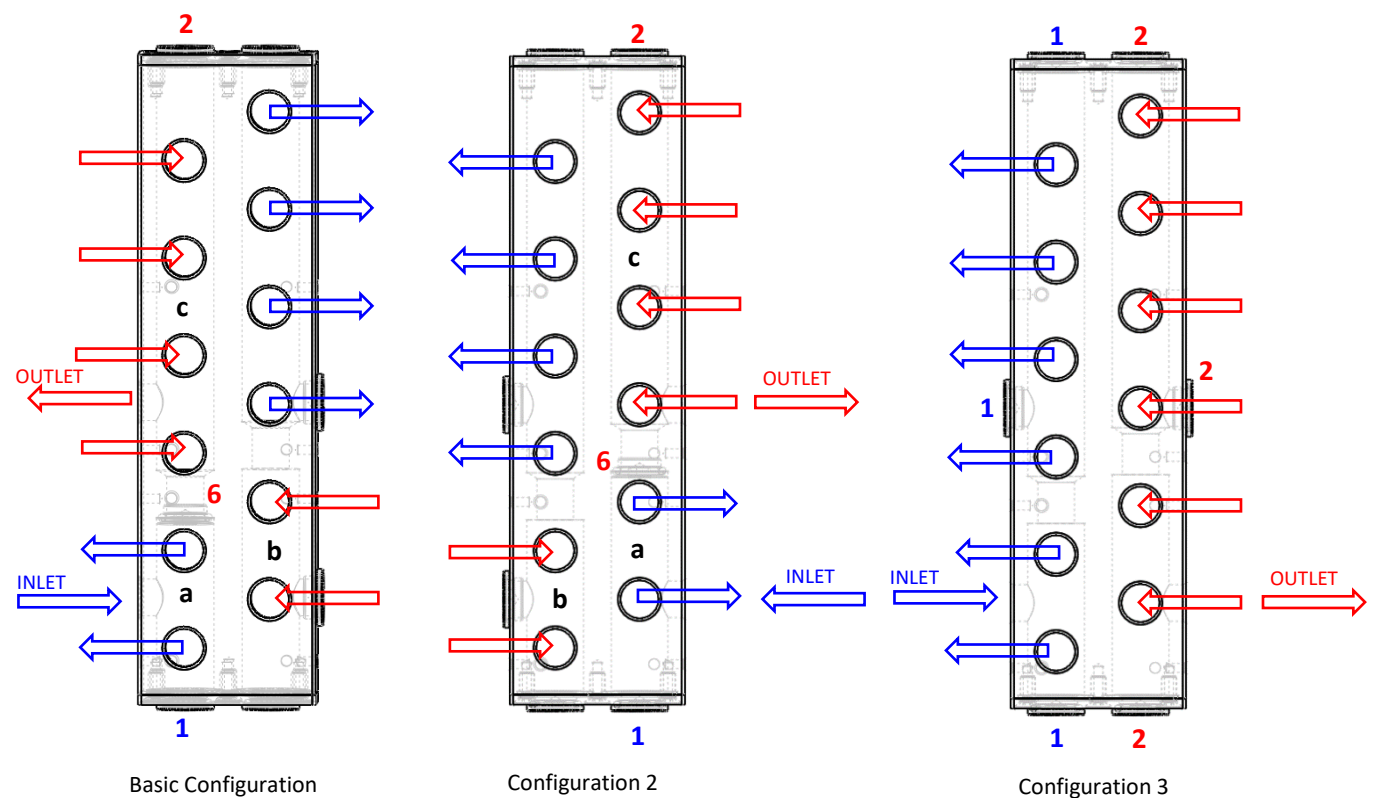
Red colour – return line

Blue colour – feed line

6 – internal plug

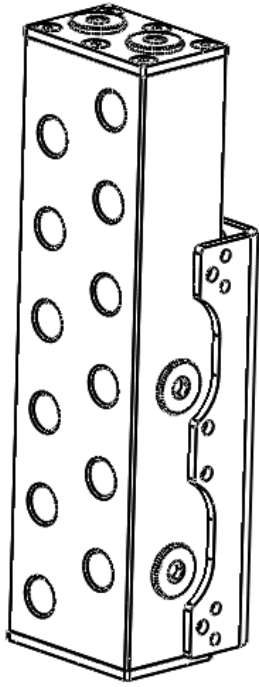
In parallel setup do not mix water blocks (WB) with different pressure drop.

Semi parallel setup is intended for cooling loops with Different pressure drop WBs where compartment [a] feeds more restrictive WBs and compartment [b] feeds less restrictive WBs.

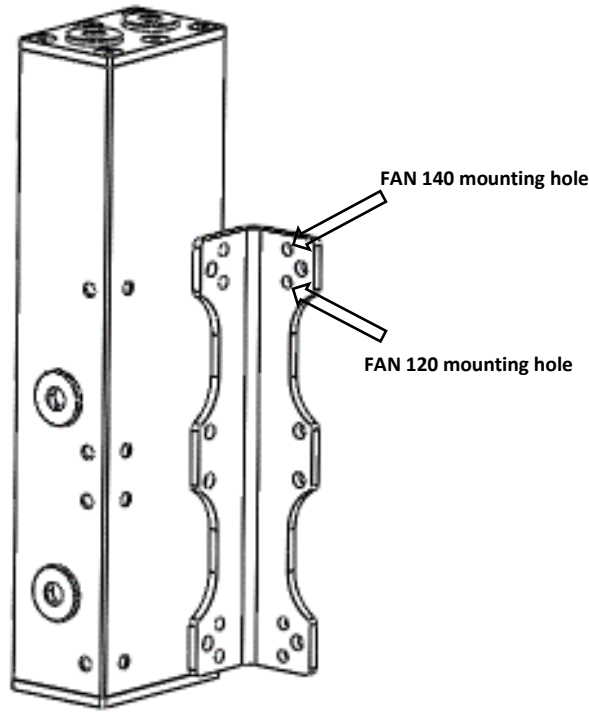


### STEP 3: MOUNTING THE MANIFOLD

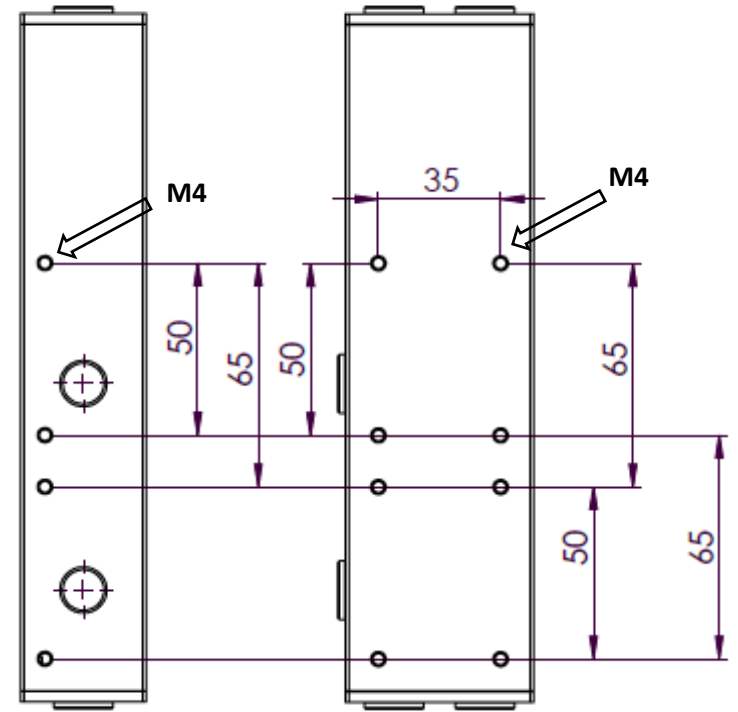
For MANIFOLD mounting dedicated bracket is enclosed. M4 threaded mounting holes are positioned on manifold back and both lateral sides. Holes on back side could be used to mount manifold directly on EK-UNI Pump Bracket / Holder. With enclosed manifold holder, manifold can be mounted on fan 120/140 holes.



Bracket on LATERAL side



Bracket on BACK side



MANIFOLD Mounting Holes

### IMPORTANT DISCLOSURES

**VERY IMPORTANT NOTICE:** Once the installation is completed, it is a recommended practice to test the cooling circuit for leaks prior to powering up the computer. We recommend a 24 hour leak test prior to powering up the computer. Do not test the water block using city water pressure. This will rupture the top of the housing and render the block unusable (and will void your warranty). While all efforts have been made to provide the most comprehensive tutorial possible, EK Water Blocks assumes no liability expressed or implied for any consequential damage(s) occurring to your equipment as a result of using EK Water Blocks cooling products, either due to errors or omissions on our part in the above instructions, or due to failure or defect in the EK Water Blocks cooling products.

### WARRANTY:

Our products are warranted against defects in materials or workmanship for a period of 24 months beginning from the date of delivery to the final user. During this period, products will be repaired or have parts replaced at our discretion provided that: (I) the product is returned to the agent from whom it was purchased; (II) the product has been purchased by an end user and has not used for commercial purposes; (III) the product has not been misused, handled carelessly, or used in a manner other than in accordance with the instructions provided describing its installation and proper use. This warranty does not confer rights other than those expressly set out above and does not cover any claims for consequential loss or damage. This warranty is offered as an extra benefit and does not affect your statutory rights as a consumer. This warranty is voided if the product comes in contact with aggressive UV additives or other improper liquids.

EK blocks are sealed with warranty void circular label, which proves that the block has withstood a pressure leak test. Removing it will void leak-free guarantee and not the guarantee on the product itself. Any other RMA issues can be reported to EK Support at <http://www.ekwb.com/support> for further analysis.