

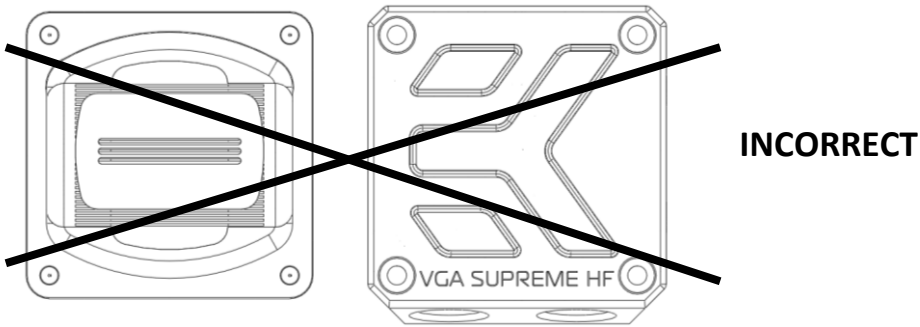
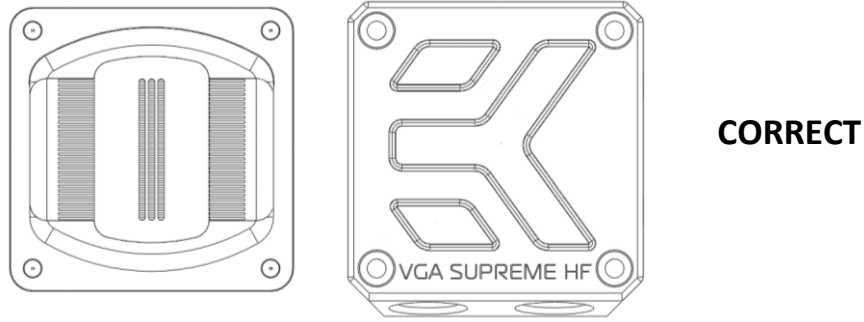
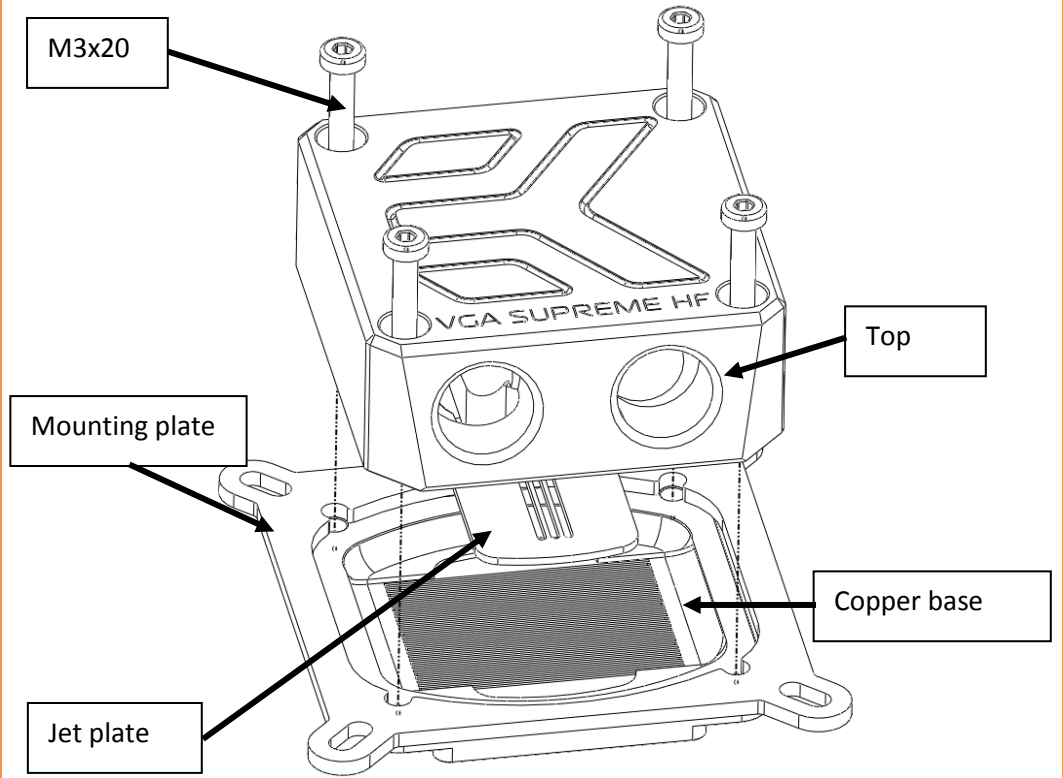
This product is intended for installation only by expert users. Please consult with a qualified technician for installation. Improper installation may result in damage to your equipment. EK Water Blocks assumes no liability whatsoever, expressed or implied, for the use of these products, nor their installation. The following instructions are subject to change without notice. Please visit our web site at www.ekwaterblocks.com for updates. Before installation of this product please read important notice, disclosure and warranty conditions printed on the back of the box.

The barb hose fittings require only a small amount of force to screw them in; otherwise the high flow fittings might break. These fittings do not need to be tightened with much force because the liquid seal is made using o-rings.

STEP 1: GENERAL INFORMATION

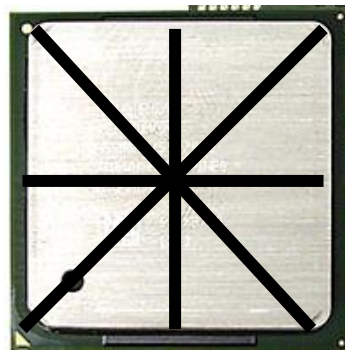
Please remove your card from the computer to assure safest mounting process possible in order to prevent any possible damages to your PCB. Picture bellow represents the correct orientation of jet plate.

STEP 1 cont.: GENERAL INFORMATION

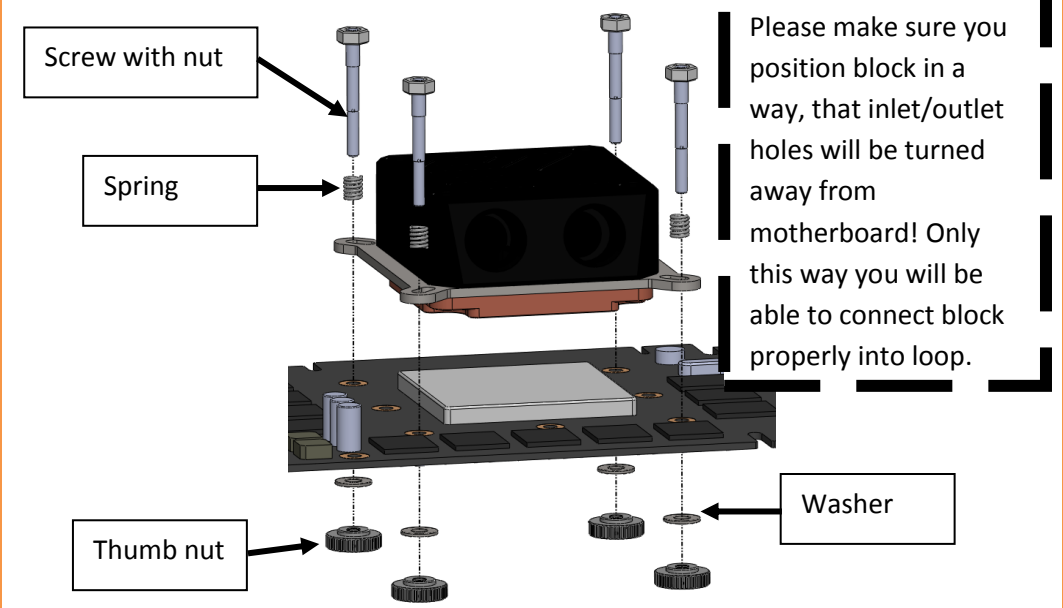


STEP 2 : PREPARING YOUR HARDWARE

CLEANING THE GPU. Wipe off GPU (by using non-abrasive cloth or Q-tip). EKWB does not recommend using any liquids for removing paste. Apply thermal compound: lightly coat the GPU with enclosed Arctic Cooling MX2™ thermal compound. Follow this link: http://www.arctic-cooling.com/catalog/images/install_mx2_retail.pdf for detailed instructions. EKWB recommends to apply thermal grease in cross form for best performance (see sample picture).

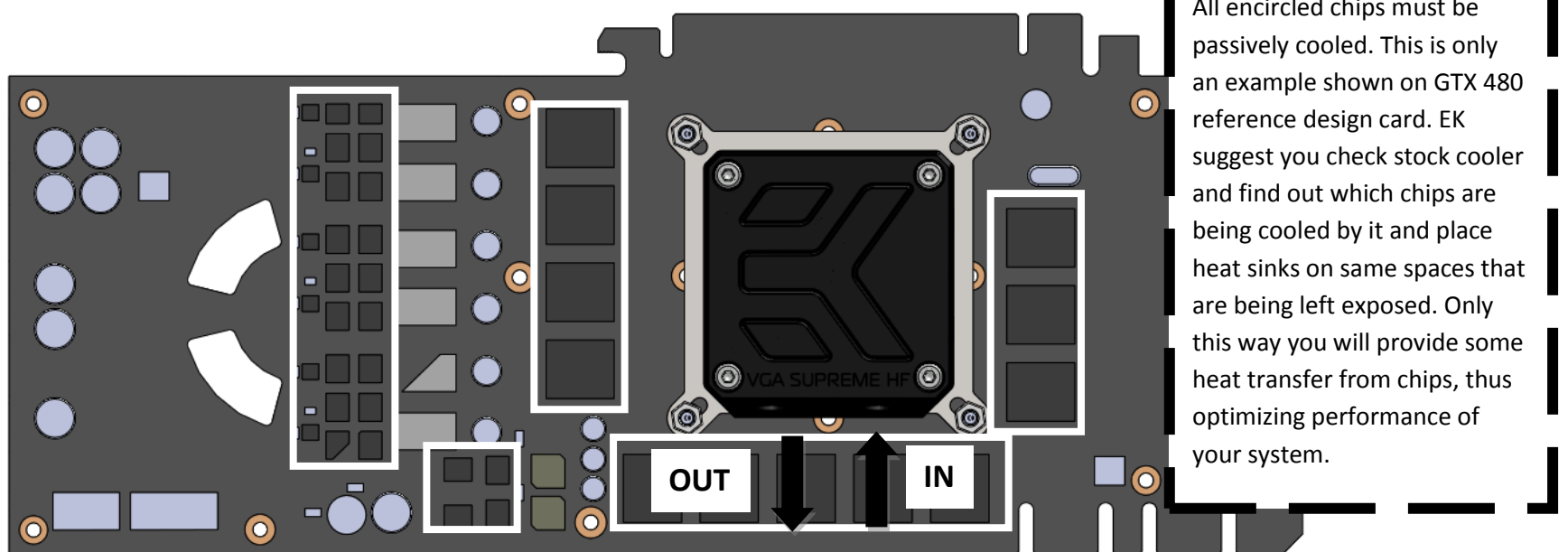


STEP 3. ATTACHING WATERBLOCK



STEP 4: CONNECTING WATERBLOCK

Carefully identify the direction of the flow in your circuit. For the EK-VGA SUPREME HF to operate properly please INLET hole as shown on picture. To secure the tubes stays properly on the fittings please use hose clamps or appropriate substitute. The use of an algacide is nonetheless recommended in any liquid cooling system.



IMPORTANT DISCLOSURES

VERY IMPORTANT NOTICE: Once the installation is completed, it is a recommended practice to test the cooling circuit for leaks prior to powering up the computer. We recommend a 24 hour leak test prior to powering up the computer. Do not test the water block using city water pressure. This will rupture the top of the housing and render the block unusable (and will void your warranty). While all efforts have been made to provide the most comprehensive tutorial possible, EK Water Blocks assumes no liability expressed or implied for any consequential damage(s) occurring to your equipment as a result of using EK Water Blocks cooling products, either due to errors or omissions on our part in the above instructions, or due to failure or defect in the EK Water Blocks cooling products.