

EK-Supremacy

PreciseMount Add-on "Naked APU"

This product is intended for installation only by expert users. Please consult with a qualified technician for installation. Improper installation may result in damage to your equipment. EK Water Blocks assumes no liability whatsoever, expressed or implied, for the use of these products, nor their installation. The following instructions are subject to change without notice. Please visit our web site at www.ekwb.com for updates. Before installation of this product please read important notice, disclosure and warranty conditions printed on the back of the box.

Before you start using this product please follow these basic guidelines:

1. Please carefully read the manual before through before beginning with the installation process!
2. Please remove your motherboard from the computer to assure safest mounting process in order to prevent any possible damages to your CPU and/or motherboard's circuit board (PCB).
3. The EK High Flow and EK-PSC type fittings require only a small amount of force to screw them firmly in place since the liquid seal is ensured by the rubber o-ring gaskets.
4. The use of corrosion inhibiting coolants is always recommended for any liquid cooling system.

IMPORTANT DISCLOSURES

CAUTION: This mounting mechanism add-on is intended for use only with third generation Intel Core i3/i5/i7 CPUs (22nm Ivy Bridge architecture) that have their IHS (Intergrated Heat Spreader) removed by the user. **This product is compatible only with EK-Supremacy series CPU water block.**

Before you start please follow these guidelines:

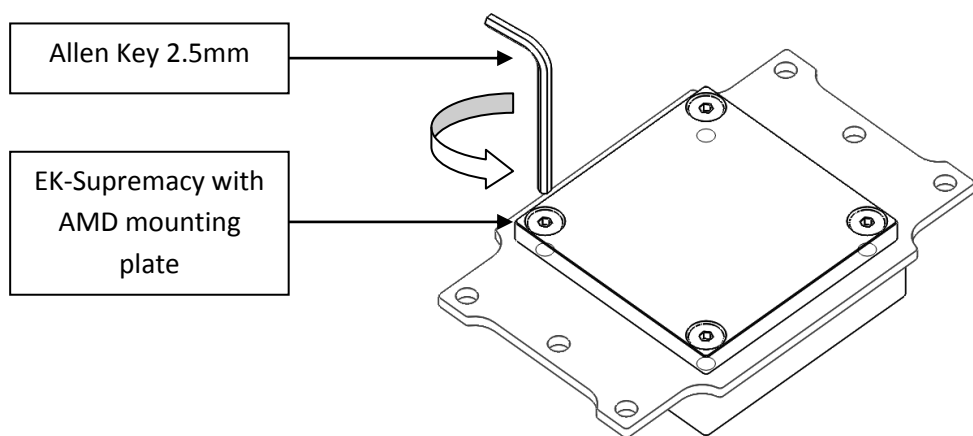
1. This product is intended to be used by expert users only as removing the CPU IHS is a delicate process. EK Water Blocks will not be held responsible for any failed removal operation that resulted in death of the computer component!
2. Please note that removing the IHS from the AMD CPU will result in voiding the warranty!
3. Please do not try to remove IHS from other AMD® Socket AM3(+) CPUs, including FX series (such as Phenom II, Thuban, Zambezi, Vishera and Centurion) as the core (die) is soldered to the IHS with aforementioned models. Any attempts to remove the IHS from such processor will result in irreparable damage to the CPU!

STEP 1: REPLACING THE ORIGINAL DIN7991 SCREWS

One by one replace the original M4x16 DIN7991 screws with M4x16 DIN965 (Philips head) screws provided with this PreciseMount Add-On.

Please use the Allen Key 2,5mm (bundled with each EK-Supremacy water block) to remove the original DIN7991 type screws. Use Philips head screwdriver to finish reinstallation of the DIN965 type screws.

Replacing these screws is essential in order for water block to clear the plastic housing of the AMD FM1/FM2(+) CPU socket.

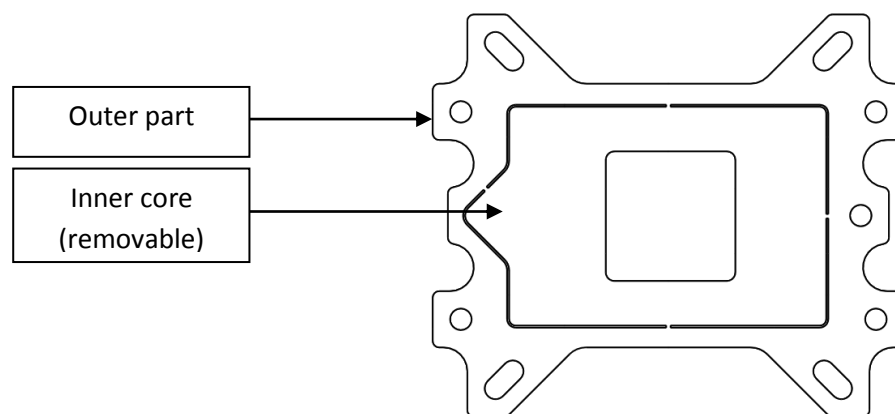


STEP 2: REINSTALLING THE ILM (SOCKET) BACKPLATE

The enclosed rubber gasket is essential part of the backplate and mounting system and must be used every time you install this water block. The rubber backplate has a partially cut inner part which needs to be removed when installed on Intel LGA-115x and LGA-1366 motherboard. The rubber is held on four places and can be peeled away with hand. These two pieces can be reassembled later if needed.

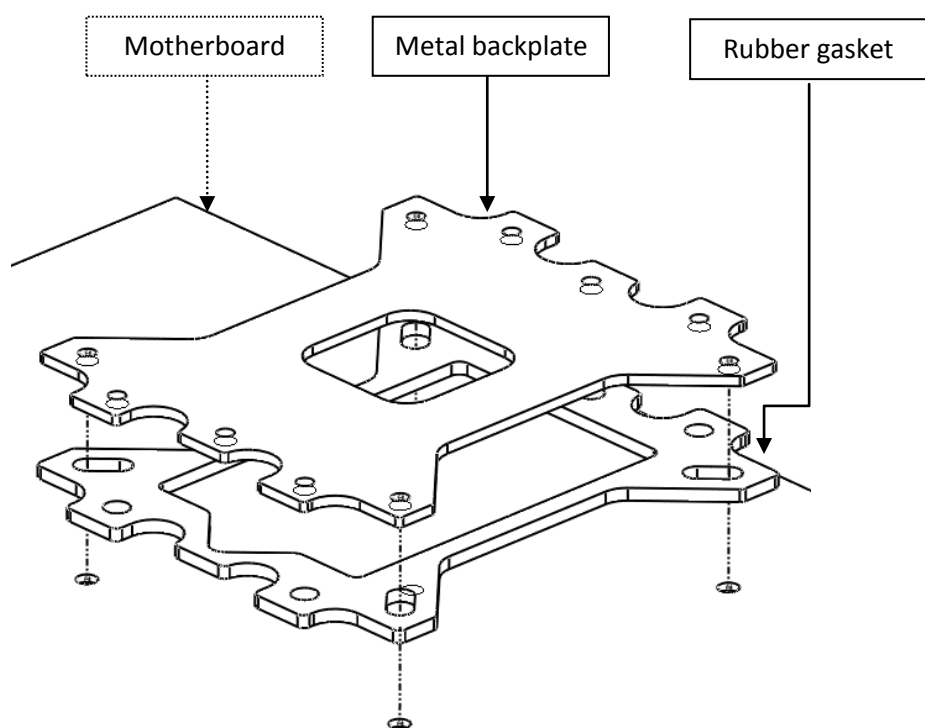
AMD sockets:

Use the whole rubber backplate including the inner core.



STEP 3: INSTALLING THE EK-SUPREMACY BACKPLATE (LGA-115x)

- 1) Place motherboard on an even surface with front facing down.
- 2) Install backplate rubber gasket - depending on your CPU platform (see STEP 5 of EK-Supremacy installation manual) - and place metal backplate for AMD socket to the back of your motherboard. Align the holes on the motherboard with holes on rubber gasket and backplate.
- 3) Carefully rotate motherboard assembly with front side facing up with one hand while holding the backplate and rubber in place with the other hand.
- 4) Install the rest of mounting system as per installation manual (see STEP 4)



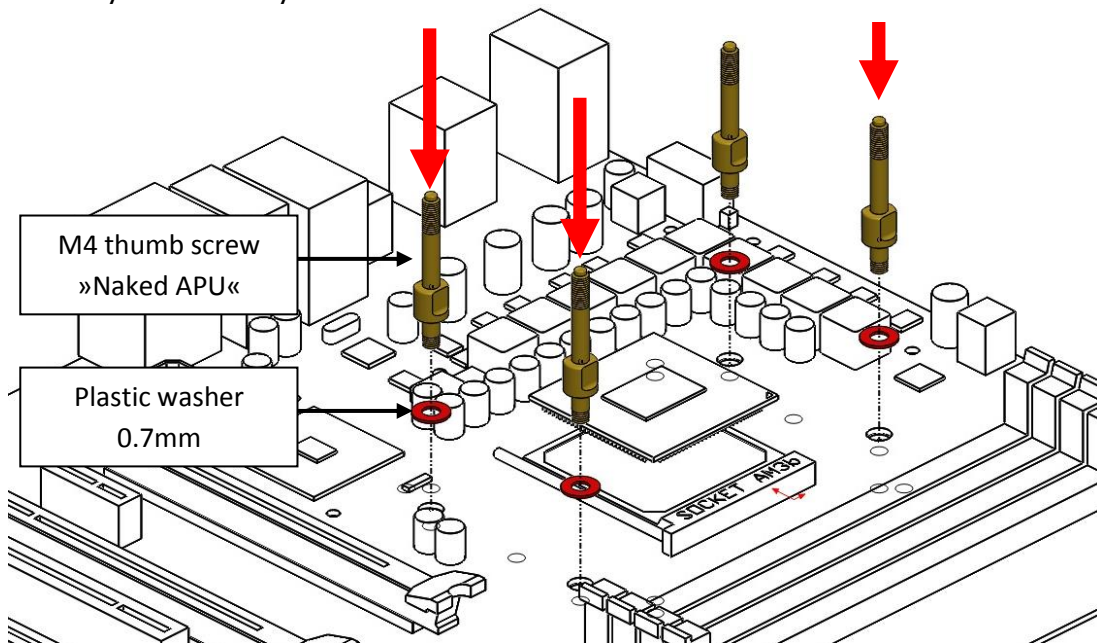
STEP 4: INSTALLING THE WATER BLOCK

STEP 4.1: Installing the mounting screws:

Install the M4 thumb screws of the PreciseMount Add-on "Naked APU" mounting system onto your motherboard. It is mandatory to put 0.7mm plastic washer underneath each of these four M4 thumb screws (washers are part of the EK-Supremacy water block bundle).

Tighten the M4 thumb screw to the metal backplate with your hands until you reach the end of the thread. You also use 6mm *mini* wrench to tighten the screws to the motherboard.

You may now install your de-lidded AMD A-series APU into the motherboard socket.



STEP 4.2: Installing the water block & finishing the installation:

Follow EK-Supremacy installation manual in order to finish the installation – complete the following steps: STEP 5.d, -5.e and STEP 6.