



# Installation and mounting manual for **EK-UNI Holder D5 V2**

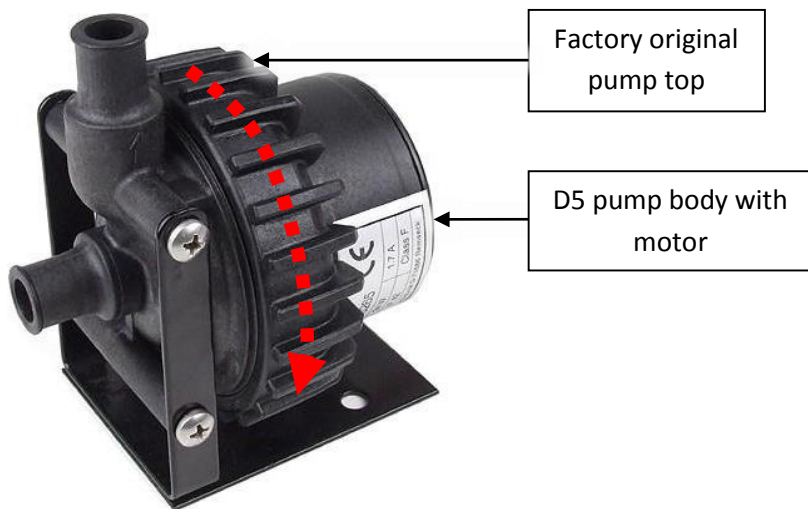
This product is intended for installation only by expert users. Please consult with a qualified technician for installation. Improper installation may result in damage to your equipment. EK Water Blocks assumes no liability whatsoever, expressed or implied, for the use of these products, nor their installation. The following instructions are subject to change without notice. Please visit our web site at [www.ekwb.com](http://www.ekwb.com) for updates. Before installation of this product please read important notice, disclosure and warranty conditions printed on the back of the box.

Before you start using this product please follow these basic guidelines:

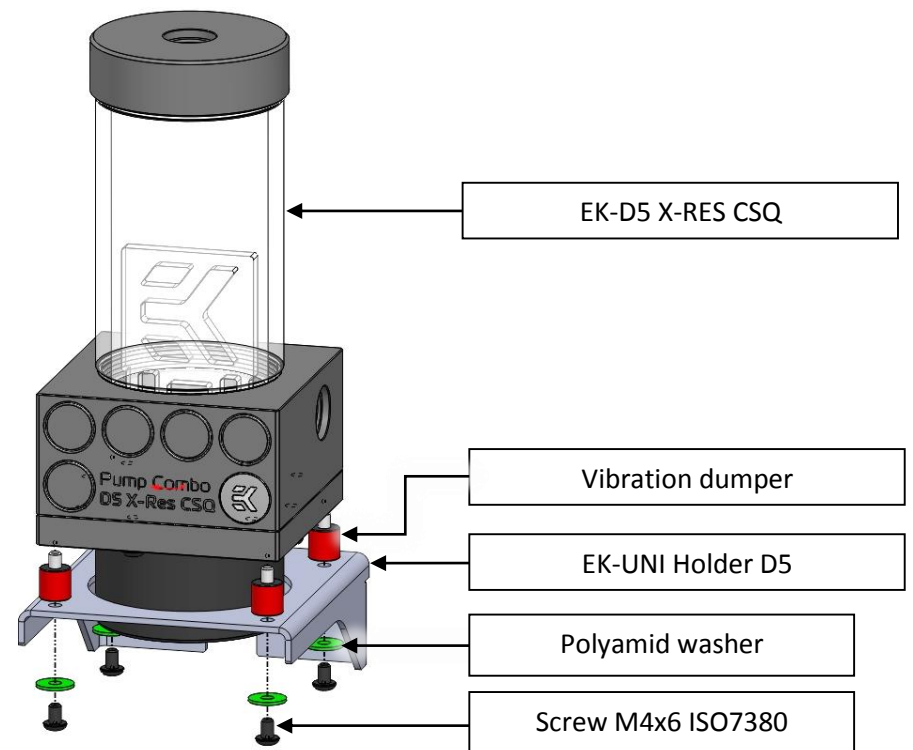
1. **Please carefully read the manual before through before beginning with the installation process!**
2. **The EK High Flow and EK-PSC type fittings require only a small amount of force to screw them firmly in place since the liquid seal is ensured by the rubber o-ring gaskets.**
3. **The use of corrosion inhibiting coolants is strongly recommended for any liquid cooling system.**

## STEP 1: PREPARING THE PUMP

Unscrew the ribbed threaded ring that attaches the Laing pump's original factory top and the main pump core housing with motor. Store the original top, the original o-ring gasket and the attaching ring in a safe place.

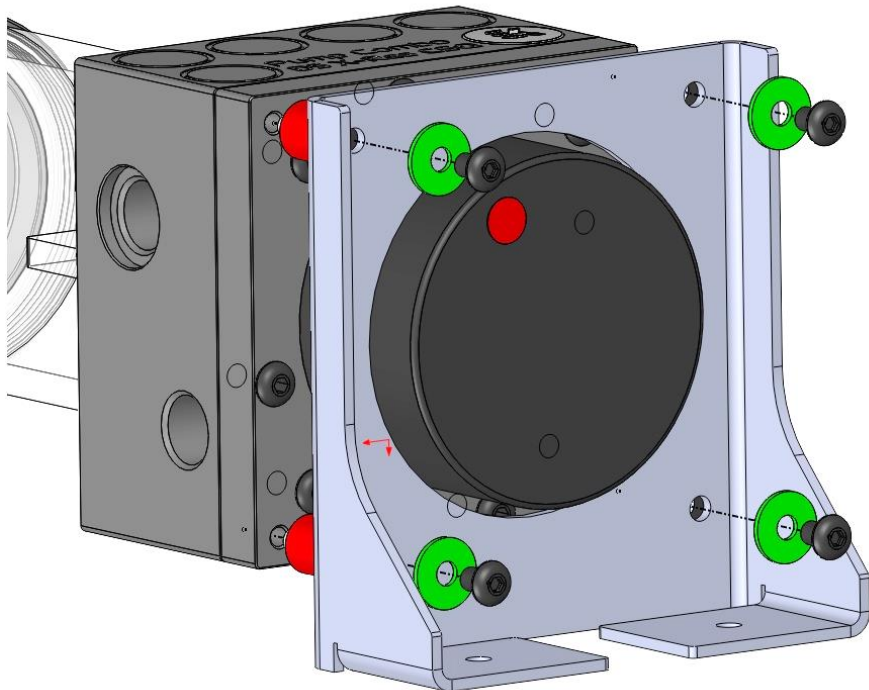


## STEP 2: EXPLODED VIEW OF ASSEMBLY



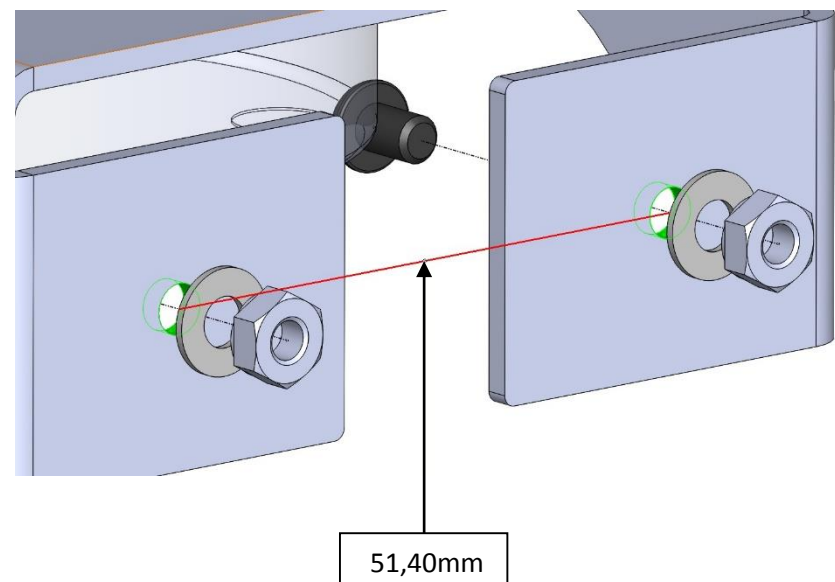
## STEP 3: ATTACHING EK-UNI HOLDER D5

1. Install the D5 pump on X-RES per item's instruction manual.
2. Fasten 4 vibration dumpers on top's M4 threaded holes.
3. Place sub assembly on D5 holder so holes are concentric.
4. Place polyamide washer beneath each screw's head.
5. Screw gently as excessive force may cause screws to strip.



## STEP 4: ATTACHING TO CASE

Use 2 additional M4 screws in conjunction with washers and nuts in order to attach assembly to PC case. This holder is meant to be installed directly on the computer chassis. User may need to drill 2 (two)  $\Phi 4$ mm holes through chassis metal using electric power drill if there are no appropriate mounting holes available.



## IMPORTANT DISCLOSURES:

**VERY IMPORTANT NOTICE:** Once the installation is completed, it is a recommended practice to test the cooling circuit for leaks prior to powering up the computer. We recommend a 24 hour leak test prior to powering up the computer. Do not test the water block using tap water pressure. This will rupture the top of the housing and render the block unusable (and will void your warranty). While all efforts have been made to provide the most comprehensive tutorial possible, EK Water Blocks assumes no liability expressed or implied for any consequential damage(s) occurring to your equipment as a result of using EK Water Blocks cooling products, either due to errors or omissions on our part in the above instructions, or due to failure or defect in the EK Water Blocks cooling products.

**WARRANTY:** Our products are warranted against defects in materials or workmanship for a period of 24 months beginning from the date of delivery to the final user. During this period, products will be repaired or have parts replaced at our discretion provided that: (I) the product is returned to the agent from whom it was purchased; (II) the product has been purchased by an end user and has not used for commercial purposes; (III) the product has not been misused, handled carelessly, or used in a manner other than in accordance with the instructions provided describing its installation and proper use. This warranty does not confer rights other than those expressly set out above and does not cover any claims for consequential loss or damage. This warranty is offered as an extra benefit and does not affect your statutory rights as a consumer. This warranty is voided if the product comes in contact with aggressive UV additives or other improper liquids.

Any other RMA issues can be reported to [support@ekwaterblocks.com](mailto:support@ekwaterblocks.com) for further analysis.

## REQUIRED TOOLS

Allen key



# Installation and mounting manual for **EK-UNI Holder D5 V2**

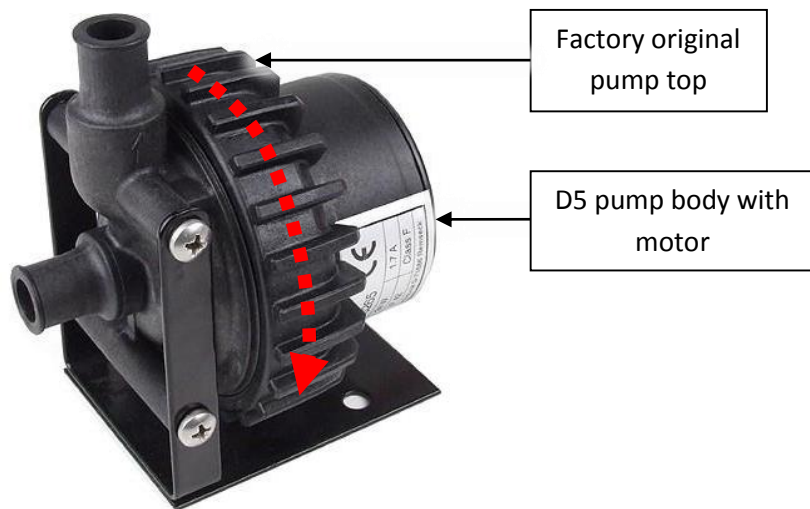
This product is intended for installation only by expert users. Please consult with a qualified technician for installation. Improper installation may result in damage to your equipment. EK Water Blocks assumes no liability whatsoever, expressed or implied, for the use of these products, nor their installation. The following instructions are subject to change without notice. Please visit our web site at [www.ekwb.com](http://www.ekwb.com) for updates. Before installation of this product please read important notice, disclosure and warranty conditions printed on the back of the box.

Before you start using this product please follow these basic guidelines:

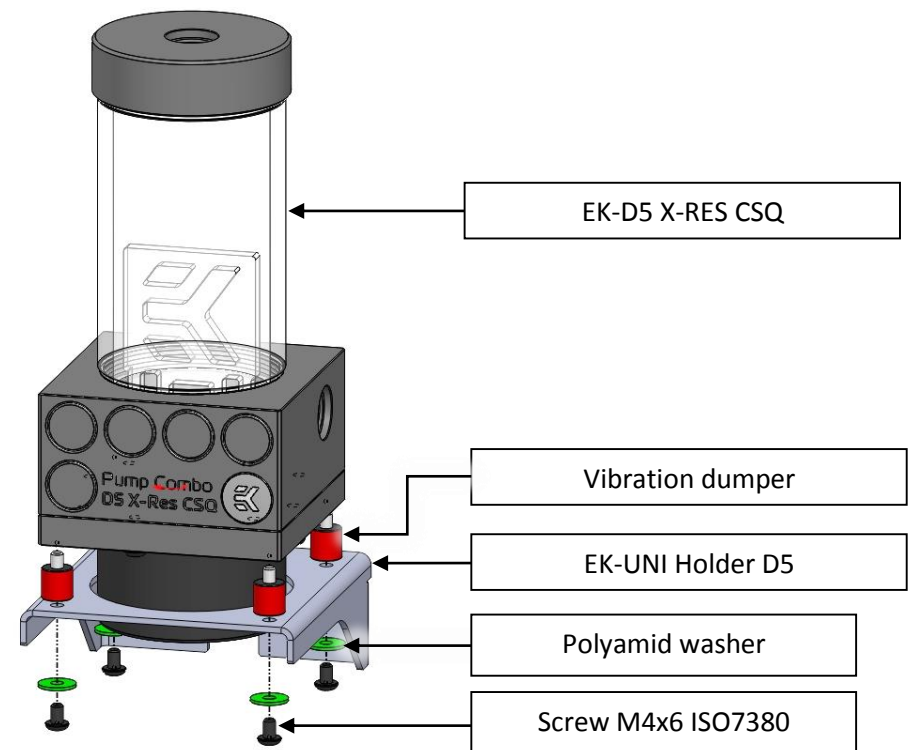
4. **Please carefully read the manual before through before beginning with the installation process!**
5. **The EK High Flow and EK-PSC type fittings require only a small amount of force to screw them firmly in place since the liquid seal is ensured by the rubber o-ring gaskets.**
6. **The use of corrosion inhibiting coolants is strongly recommended for any liquid cooling system.**

## STEP 1: PREPARING THE PUMP

Unscrew the ribbed threaded ring that attaches the Laing pump's original factory top and the main pump core housing with motor. Store the original top, the original o-ring gasket and the attaching ring in a safe place.

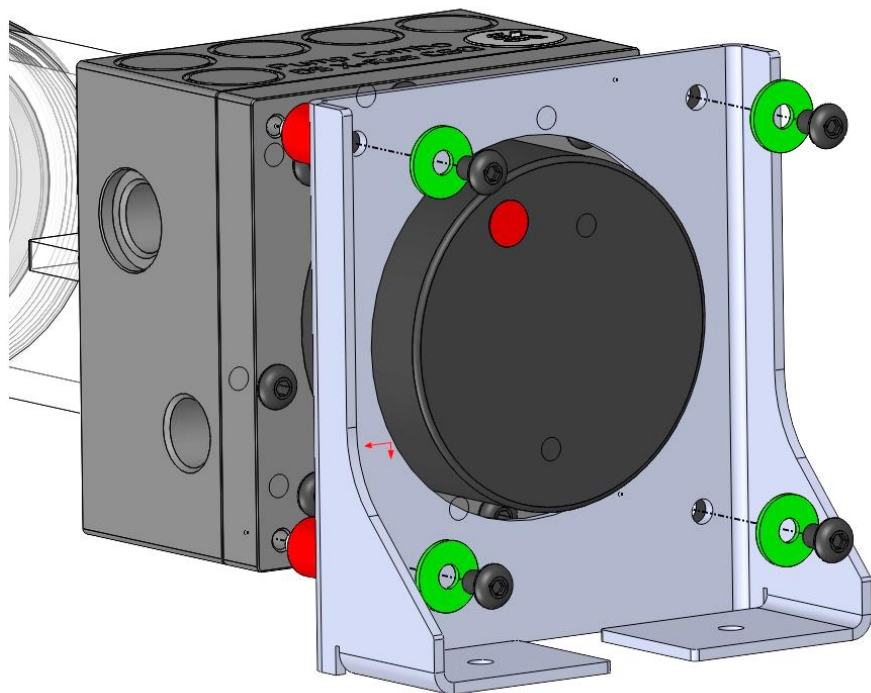


## STEP 2: EXPLODED VIEW OF ASSEMBLY



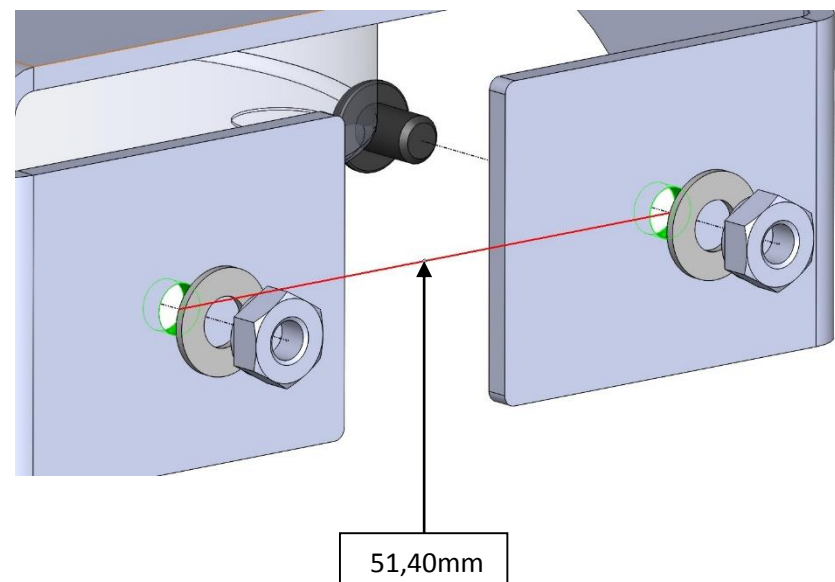
## STEP 3: ATTACHING EK-UNI HOLDER D5

6. Install the D5 pump on X-RES per item's instruction manual.
7. Fasten 4 vibration dumpers on top's M4 threaded holes.
8. Place sub assembly on D5 holder so holes are concentric.
9. Place polyamide washer beneath each screw's head.
10. Screw gently as excessive force may cause screws to strip.



## STEP 4: ATTACHING TO CASE

Use 2 additional M4 screws in conjunction with washers and nuts in order to attach assembly to PC case. This holder is meant to be installed directly on the computer chassis. User may need to drill 2 (two)  $\Phi 4$ mm holes through chassis metal using electric power drill if there are no appropriate mounting holes available.



## IMPORTANT DISCLOSURES:

**VERY IMPORTANT NOTICE:** Once the installation is completed, it is a recommended practice to test the cooling circuit for leaks prior to powering up the computer. We recommend a 24 hour leak test prior to powering up the computer. Do not test the water block using tap water pressure. This will rupture the top of the housing and render the block unusable (and will void your warranty). While all efforts have been made to provide the most comprehensive tutorial possible, EK Water Blocks assumes no liability expressed or implied for any consequential damage(s) occurring to your equipment as a result of using EK Water Blocks cooling products, either due to errors or omissions on our part in the above instructions, or due to failure or defect in the EK Water Blocks cooling products.

**WARRANTY:** Our products are warranted against defects in materials or workmanship for a period of 24 months beginning from the date of delivery to the final user. During this period, products will be repaired or have parts replaced at our discretion provided that: (I) the product is returned to the agent from whom it was purchased; (II) the product has been purchased by an end user and has not used for commercial purposes; (III) the product has not been misused, handled carelessly, or used in a manner other than in accordance with the instructions provided describing its installation and proper use. This warranty does not confer rights other than those expressly set out above and does not cover any claims for consequential loss or damage. This warranty is offered as an extra benefit and does not affect your statutory rights as a consumer. This warranty is voided if the product comes in contact with aggressive UV additives or other improper liquids.

Any other RMA issues can be reported to [support@ekwaterblocks.com](mailto:support@ekwaterblocks.com) for further analysis.

## REQUIRED TOOLS

Allen key