

This product is intended for installation only by expert users. Please consult with a qualified technician for installation. Improper installation may result in damage to your equipment. EK Water Blocks assumes no liability whatsoever, expressed or implied, for the use of these products, nor their installation. The following instructions are subject to change without notice. Please visit our web site at www.ekwb.com for updates. Before installation of this product please read important notice, disclosure and warranty conditions printed on the back of the box.

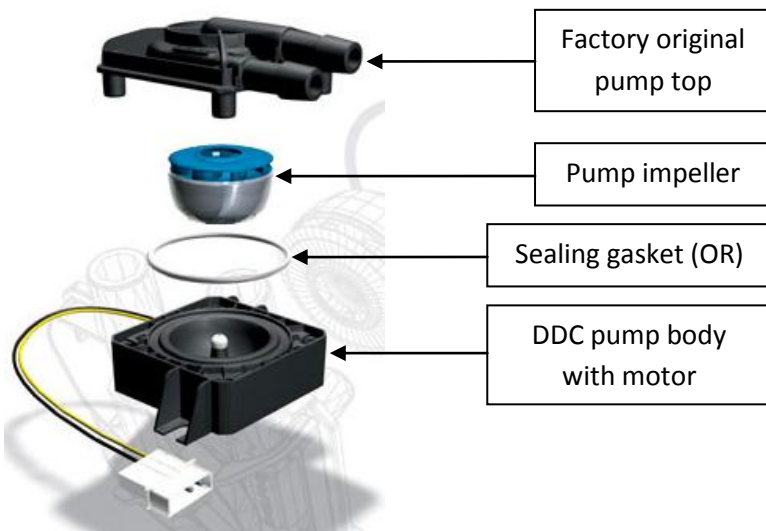
Before you start using this product please follow these basic guidelines:

1. Please carefully read the manual before through before beginning with the installation process!
2. The EK High Flow and EK-PSC type fittings require only a small amount of force to screw them firmly in place since the liquid seal is ensured by the rubber o-ring gaskets.
3. The use of corrosion inhibiting coolants is strongly recommended for any liquid cooling system.

STEP 1: PREPARING THE PUMP

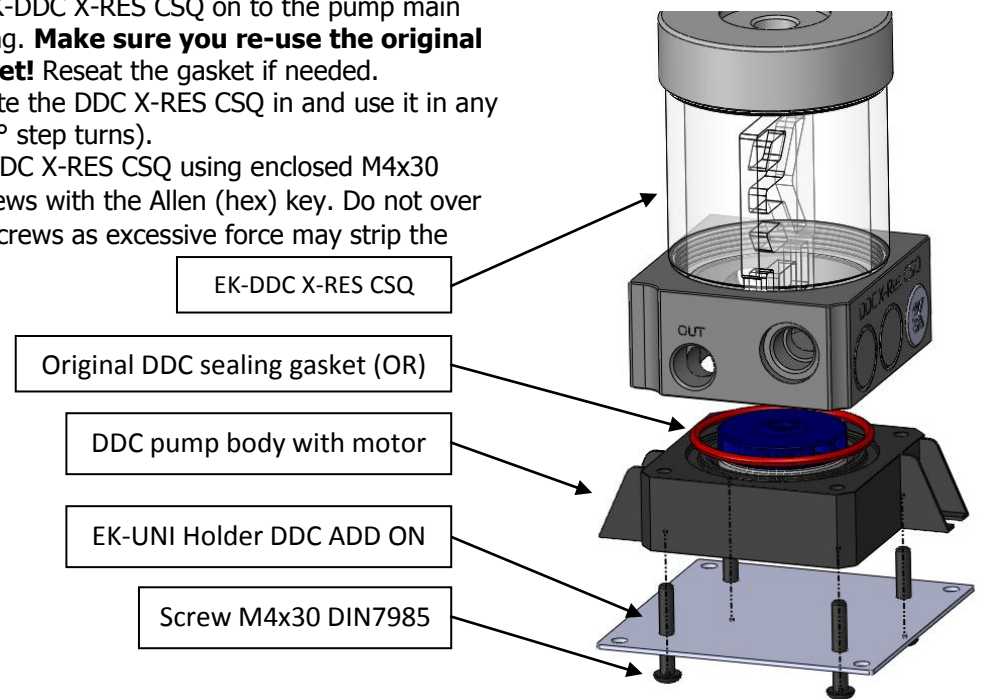
Unscrew the four screws that attaches the Laing pump's original factory top and the main pump core housing with motor. Store these four screws as well as factory pump top in a safe place.

Remember to keep the original o-ring gasket!

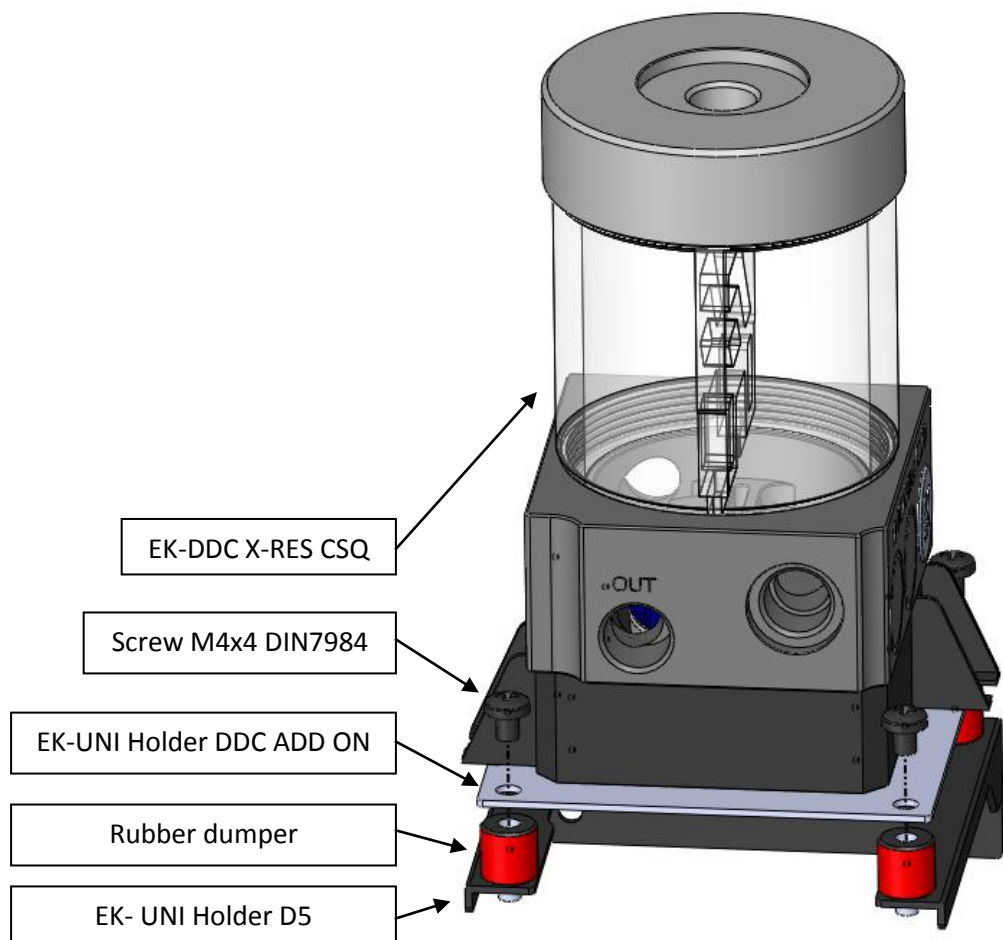


STEP 2: INSTALLING THE X-RES

1. Install the EK-DDC X-RES CSQ on to the pump main motor housing. **Make sure you re-use the original o-ring gasket!** Reseat the gasket if needed. You can rotate the DDC X-RES CSQ in and use it in any direction (90° step turns).
2. Secure the DDC X-RES CSQ using enclosed M4x30 DIN7985 screws with the Allen (hex) key. Do not over tighten the screws as excessive force may strip the threading.

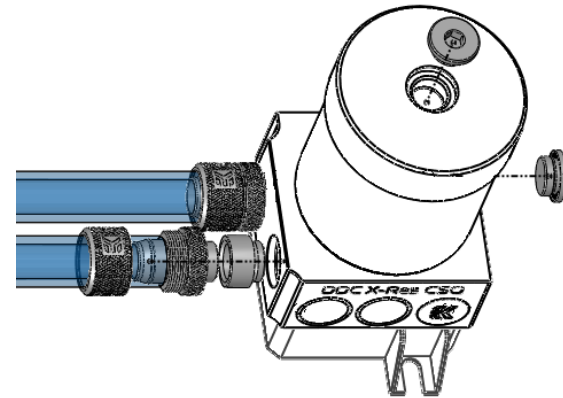


STEP 3: ATTACHING DDC ADD ON TO EK-UNI HOLDER D5



STEP 4: ATTACHING FITTINGS

EK-DDC X-RES CSQ series reservoir pump combo features 3 (three) G1/4 threaded opening on the main body of which 2 (two) are inlets and one is outlet (clearly marked with 'OUT'). EKWB recommends using EK-PSC fittings with the EK-DDC X-RES CSQ series reservoir pump combo units. To ensure that the tubes are securely attached to the barb/fittings, please use hose clamps or an appropriate substitute.



It is mandatory to use the correct INLET and OUTLET ports:

1. The OUTLET port (pressure port) is clearly marked with label 'OUT' engraved on the pump top housing.
2. The INLET port(s) (suction port) are the two recessed ports with G1/4 threading on the EK-DDC X-TOP front face plane. You may use any of these two ports as an INLET port. It is necessary to use the enclosed EK-Extender G1/4 underneath the INLET fitting! Please refer to the picture on the right! **Do not forget to close off** the unused INLET port using EK-Plug G1/4!
3. Make sure not to use fittings or barbs with G1/4 thread longer than 5mm! All EK-PSC and High Flow fittings are compatible!

This water pump & EK-DDC TOP combo can be used in vertical mounting configuration (position) only! Mounting the pump upside down may result in pump running dry and eventually lead to premature failure of the pump!

IMPORTANT DISCLOSURES:

VERY IMPORTANT NOTICE: Once the installation is completed, it is a recommended practice to test the cooling circuit for leaks prior to powering up the computer. We recommend a 24 hour leak test prior to powering up the computer. Do not test the water block using tap water pressure. This will rupture the top of the housing and render the block unusable (and will void your warranty). While all efforts have been made to provide the most comprehensive tutorial possible, EK Water Blocks assumes no liability expressed or implied for any consequential damage(s) occurring to your equipment as a result of using EK Water Blocks cooling products, either due to errors or omissions on our part in the above instructions, or due to failure or defect in the EK Water Blocks cooling products.

WARRANTY: Our products are warranted against defects in materials or workmanship for a period of 24 months beginning from the date of delivery to the final user. During this period, products will be repaired or have parts replaced at our discretion provided that: (I) the product is returned to the agent from whom it was purchased; (II) the product has been purchased by an end user and has not used for commercial purposes; (III) the product has not been misused, handled carelessly, or used in a manner other than in accordance with the instructions provided describing its installation and proper use. This warranty does not confer rights other than those expressly set out above and does not cover any claims for consequential loss or damage. This warranty is offered as an extra benefit and does not affect your statutory rights as a consumer. This warranty is voided if the product comes in contact with aggressive UV additives or other improper liquids.

Any other RMA issues can be reported to support@ekwaterblocks.com for further analysis.

REQUIRED TOOLS

Philips screwdriver

This product is intended for installation only by expert users. Please consult with a qualified technician for installation. Improper installation may result in damage to your equipment. EK Water Blocks assumes no liability whatsoever, expressed or implied, for the use of these products, nor their installation. The following instructions are subject to change without notice. Please visit our web site at www.ekwb.com for updates. Before installation of this product please read important notice, disclosure and warranty conditions printed on the back of the box.

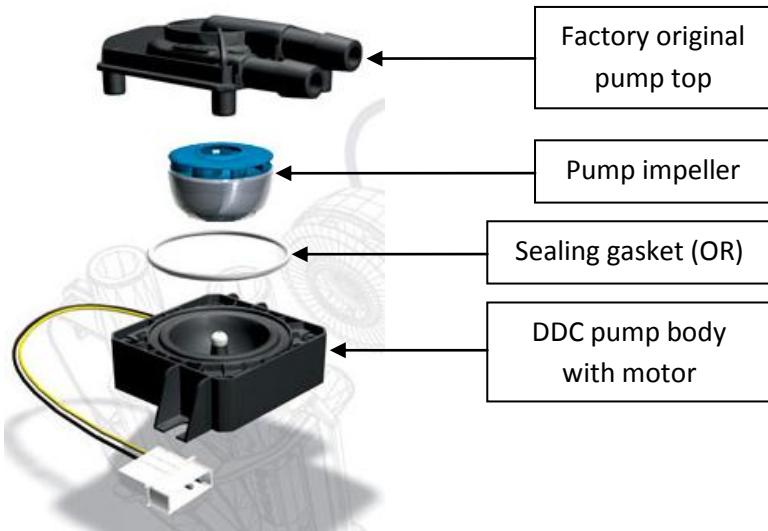
Before you start using this product please follow these basic guidelines:

4. **Please carefully read the manual before through before beginning with the installation process!**
5. **The EK High Flow and EK-PSC type fittings require only a small amount of force to screw them firmly in place since the liquid seal is ensured by the rubber o-ring gaskets.**
6. **The use of corrosion inhibiting coolants is strongly recommended for any liquid cooling system.**

STEP 1: PREPARING THE PUMP

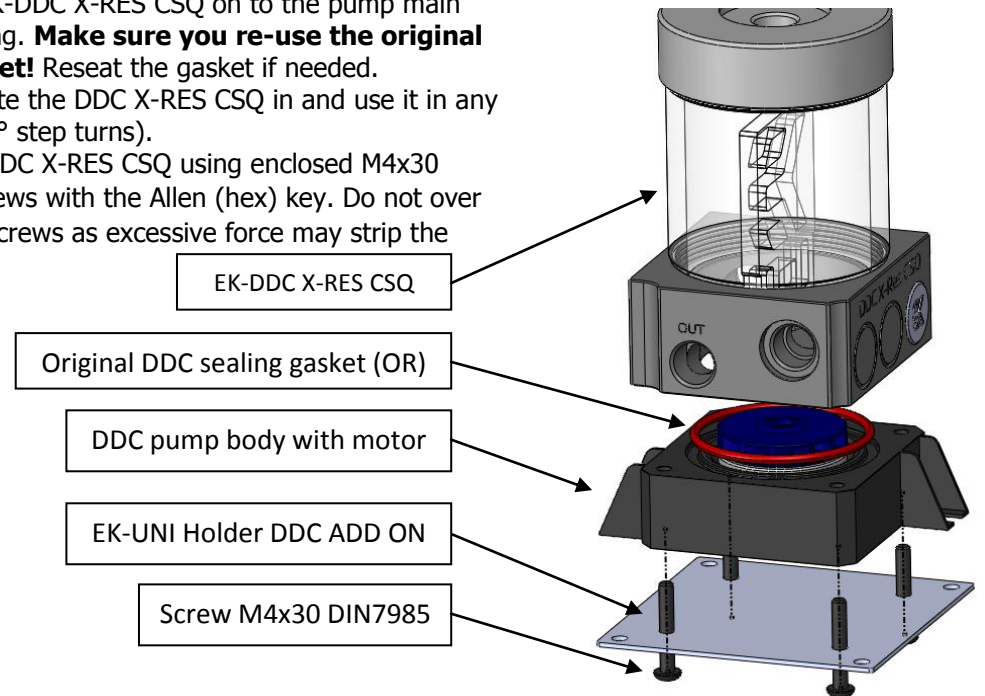
Unscrew the four screws that attaches the Laing pump's original factory top and the main pump core housing with motor. Store these four screws as well as factory pump top in a safe place.

Remember to keep the original o-ring gasket!

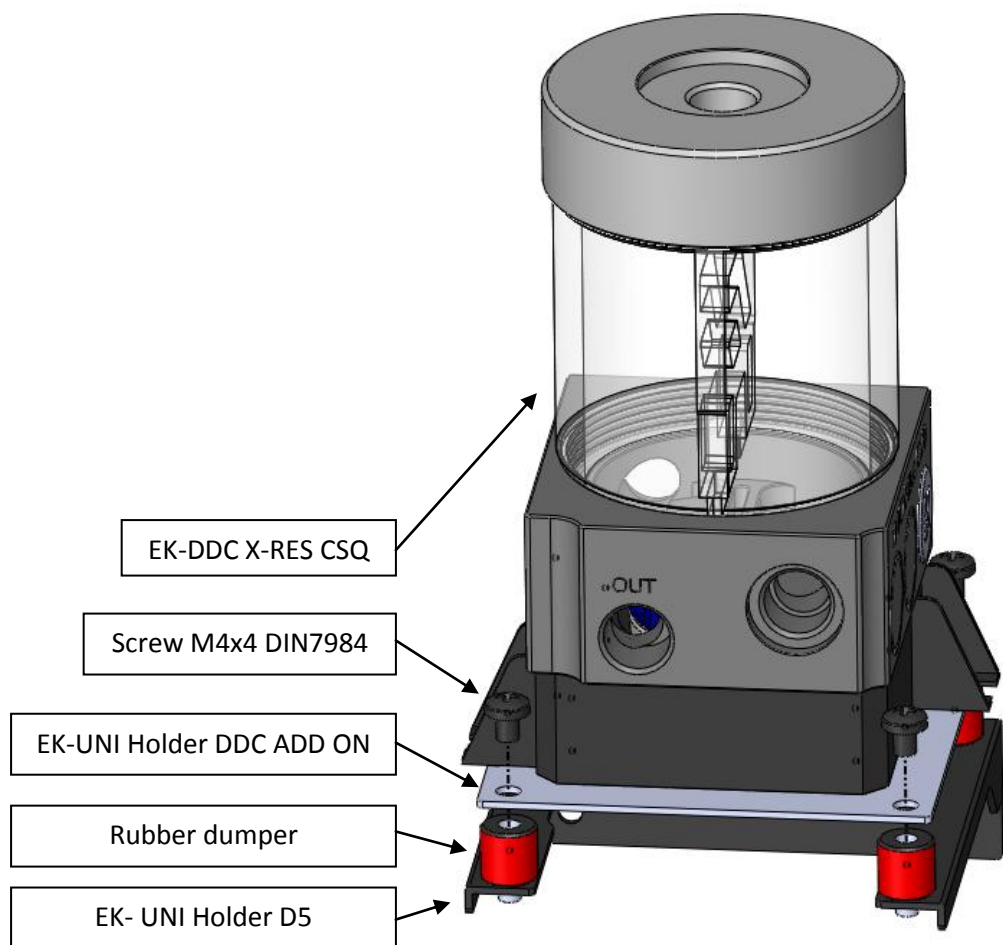


STEP 2: INSTALLING THE X-RES

3. Install the EK-DDC X-RES CSQ on to the pump main motor housing. **Make sure you re-use the original o-ring gasket!** Reseat the gasket if needed. You can rotate the DDC X-RES CSQ in and use it in any direction (90° step turns).
4. Secure the DDC X-RES CSQ using enclosed M4x30 DIN7985 screws with the Allen (hex) key. Do not over tighten the screws as excessive force may strip the threading.

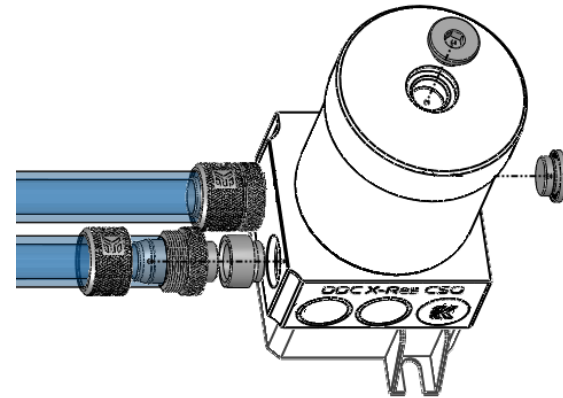


STEP 3: ATTACHING DDC ADD ON TO EK-UNI HOLDER D5



STEP 4: ATTACHING FITTINGS

EK-DDC X-RES CSQ series reservoir pump combo features 3 (three) G1/4 threaded opening on the main body of which 2 (two) are inlets and one is outlet (clearly marked with 'OUT'). EKWB recommends using EK-PSC fittings with the EK-DDC X-RES CSQ series reservoir pump combo units. To ensure that the tubes are securely attached to the barb/fittings, please use hose clamps or an appropriate substitute.



It is mandatory to use the correct INLET and OUTLET ports:

4. The OUTLET port (pressure port) is clearly marked with label 'OUT' engraved on the pump top housing.
5. The INLET port(s) (suction port) are the two recessed ports with G1/4 threading on the EK-DDC X-TOP front face plane. You may use any of these two ports as an INLET port. It is necessary to use the enclosed EK-Extender G1/4 underneath the INLET fitting! Please refer to the picture on the right! **Do not forget to close off** the unused INLET port using EK-Plug G1/4!
6. Make sure not to use fittings or barbs with G1/4 thread longer than 5mm! All EK-PSC and High Flow fittings are compatible!

This water pump & EK-DDC TOP combo can be used in vertical mounting configuration (position) only! Mounting the pump upside down may result in pump running dry and eventually lead to premature failure of the pump!

IMPORTANT DISCLOSURES:

VERY IMPORTANT NOTICE: Once the installation is completed, it is a recommended practice to test the cooling circuit for leaks prior to powering up the computer. We recommend a 24 hour leak test prior to powering up the computer. Do not test the water block using tap water pressure. This will rupture the top of the housing and render the block unusable (and will void your warranty). While all efforts have been made to provide the most comprehensive tutorial possible, EK Water Blocks assumes no liability expressed or implied for any consequential damage(s) occurring to your equipment as a result of using EK Water Blocks cooling products, either due to errors or omissions on our part in the above instructions, or due to failure or defect in the EK Water Blocks cooling products.

WARRANTY:Our products are warranted against defects in materials or workmanship for a period of 24 months beginning from the date of delivery to the final user. During this period, products will be repaired or have parts replaced at our discretion provided that: (I) the product is returned to the agent from whom it was purchased; (II) the product has been purchased by an end user and has not used for commercial purposes; (III) the product has not been misused, handled carelessly, or used in a manner other than in accordance with the instructions provided describing its installation and proper use. This warranty does not confer rights other than those expressly set out above and does not cover any claims for consequential loss or damage. This warranty is offered as an extra benefit and does not affect your statutory rights as a consumer. This warranty is voided if the product comes in contact with aggressive UV additives or other improper liquids.

Any other RMA issues can be reported to support@ekwaterblocks.com for further analysis.

REQUIRED TOOLS

Philips screwdriver