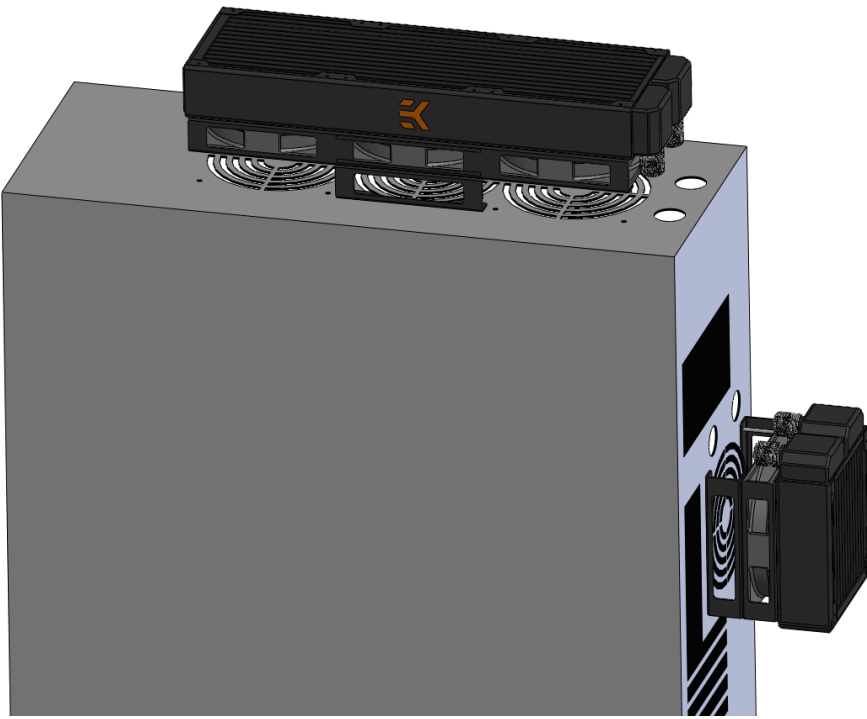


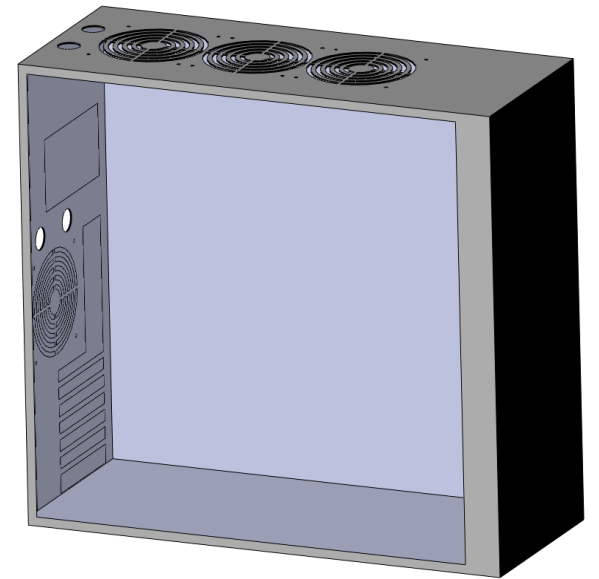
This product is intended for installation only by expert users. Please consult with a qualified technician for installation. Improper installation may result in damage to your equipment. EK Water Blocks assumes no liability whatsoever, expressed or implied, for the use of these products, nor their installation. The following instructions are subject to change without notice. Please visit our web site at www.ekwaterblocks.com for updates. Before installation of this product please read important notice, disclosure and warranty conditions printed on the back of the box.

STEP 1: GENERAL INFORMATION. Sample picture of mounted radiator with EK-UNI RAD Holder

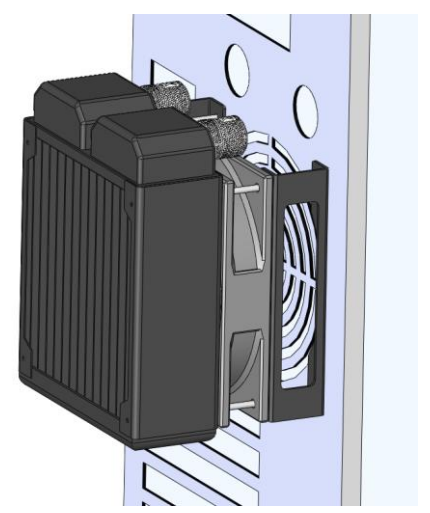
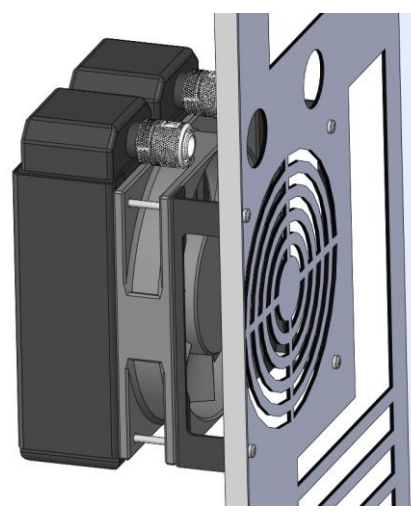
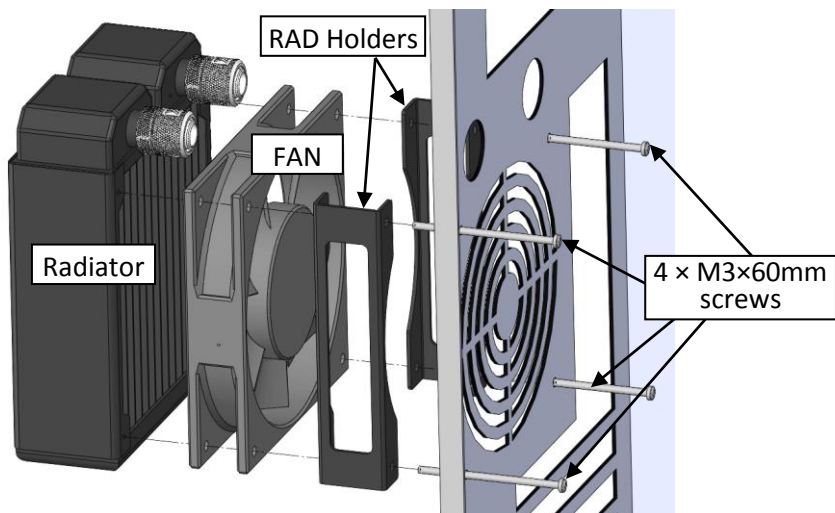


STEP 2: PREPARING YOUR PC CASE.

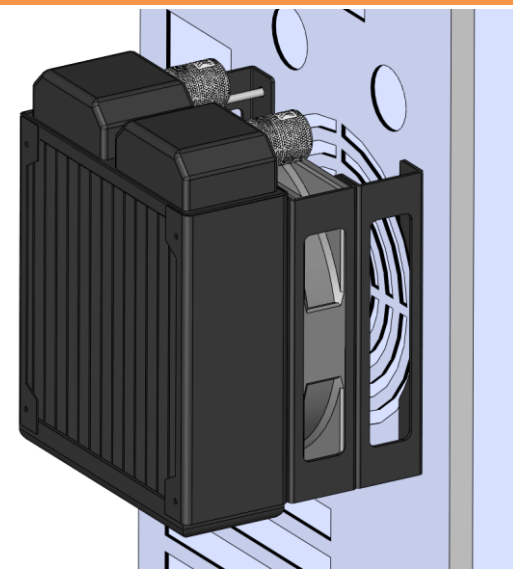
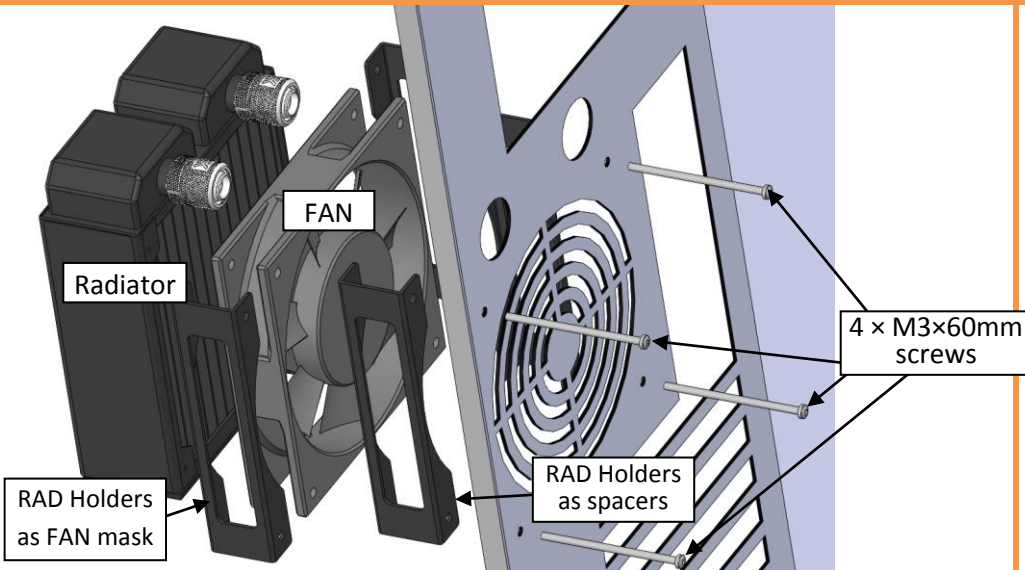
1. Open side panel of your computer case. Remove the fan or fans if there are any installed on the inside on the case.



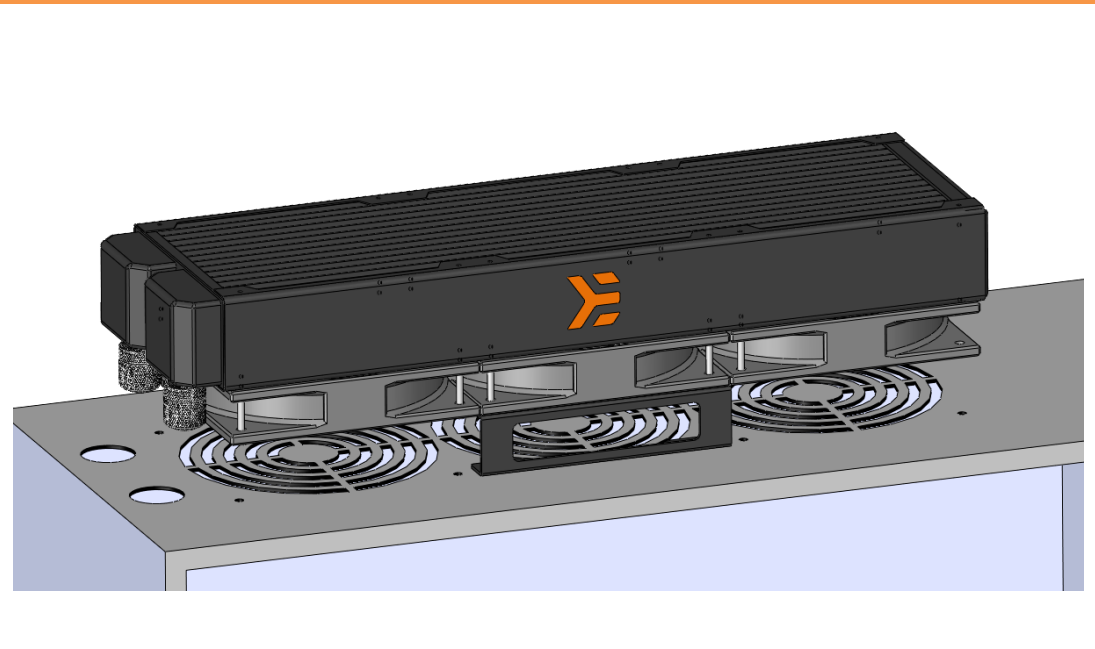
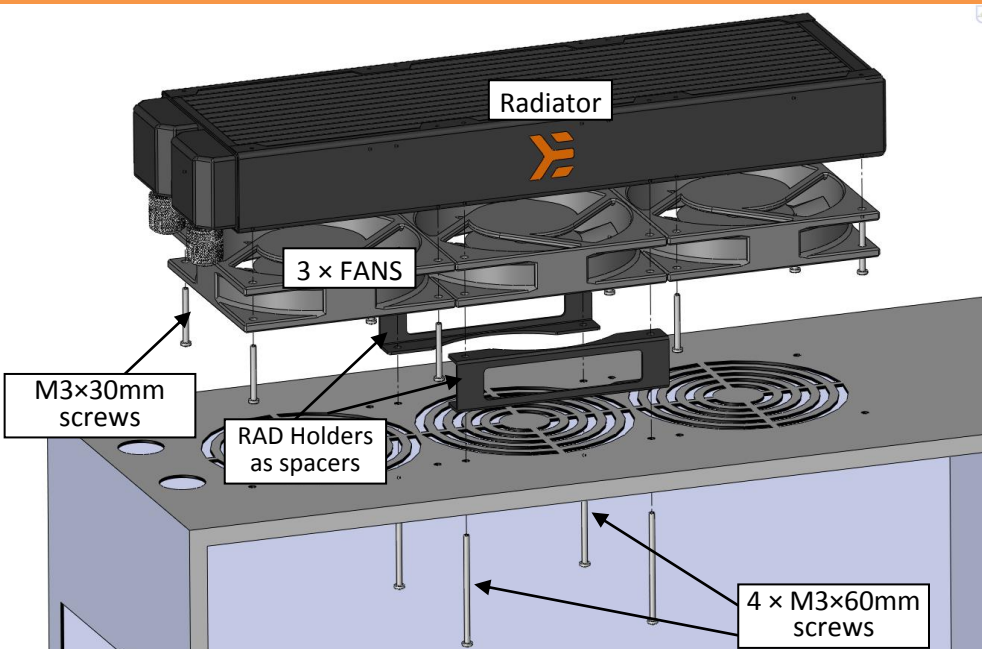
STEP 2 cont.: Possible mounting positions of radiator with EK-UNI RAD Holders



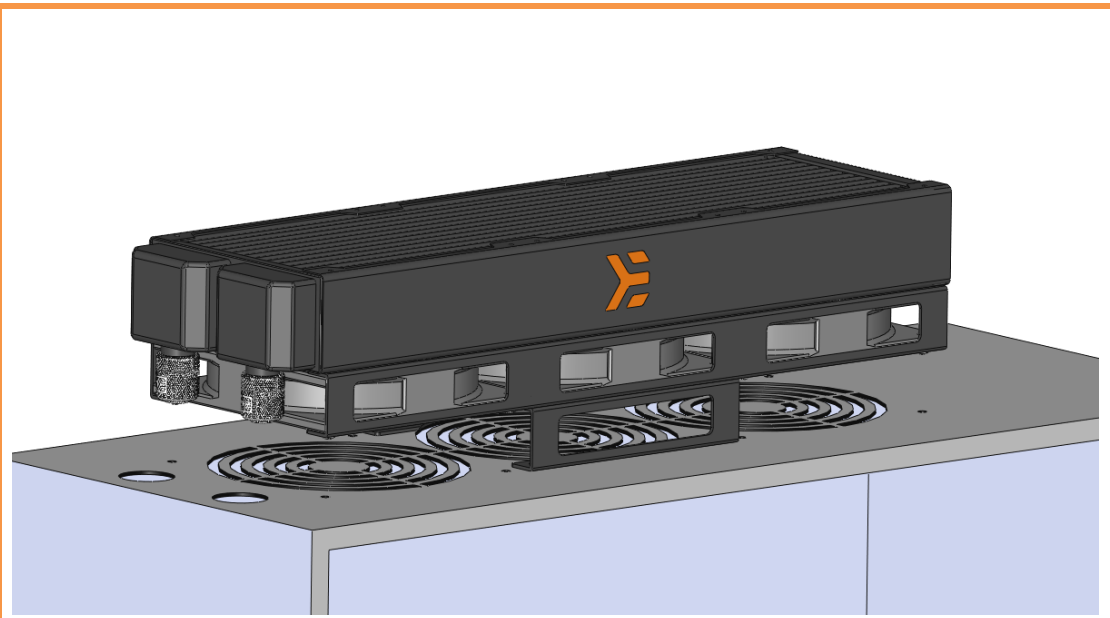
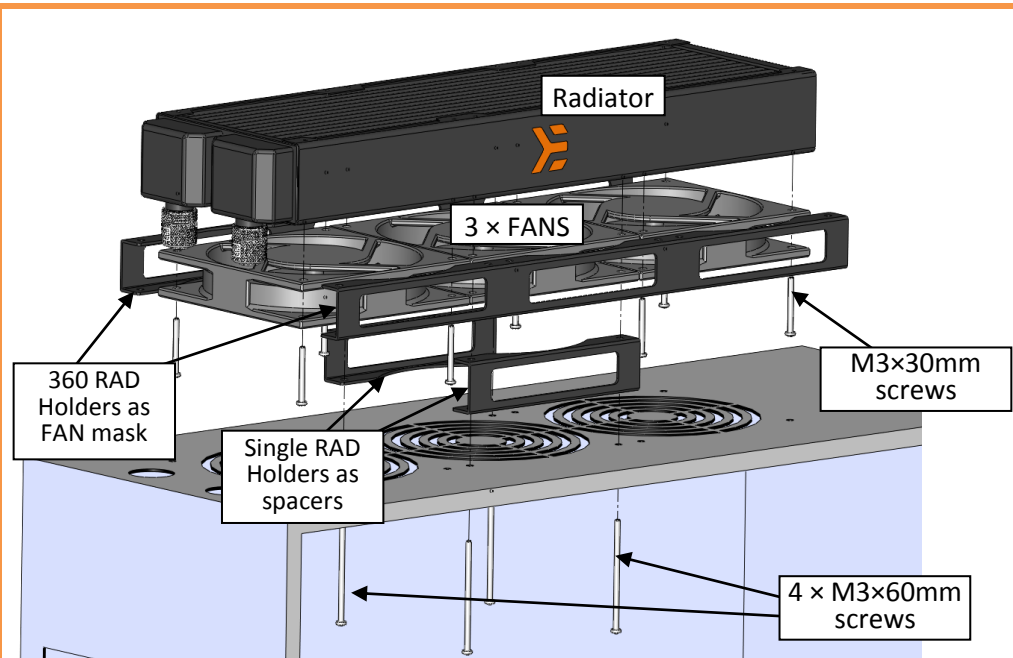
Pictures 1, 2,3: A single 120mm radiator mounted on the back of the case with single 120 UNI RAD Holder as a spacer.



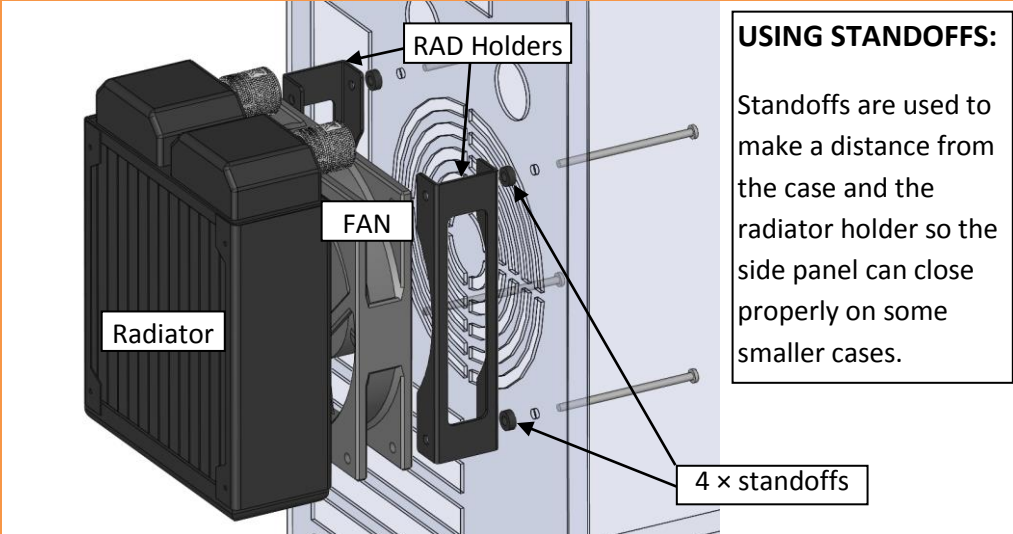
Pictures 4 & 5: A single 120mm radiator mounted on the back of the case with single 120 UNI RAD Holder as a spacer and as a mask for FAN.



Pictures 6 and 7: A triple 360 radiator mounted on the top of the case with single 120 UNI RAD Holder as a spacer.



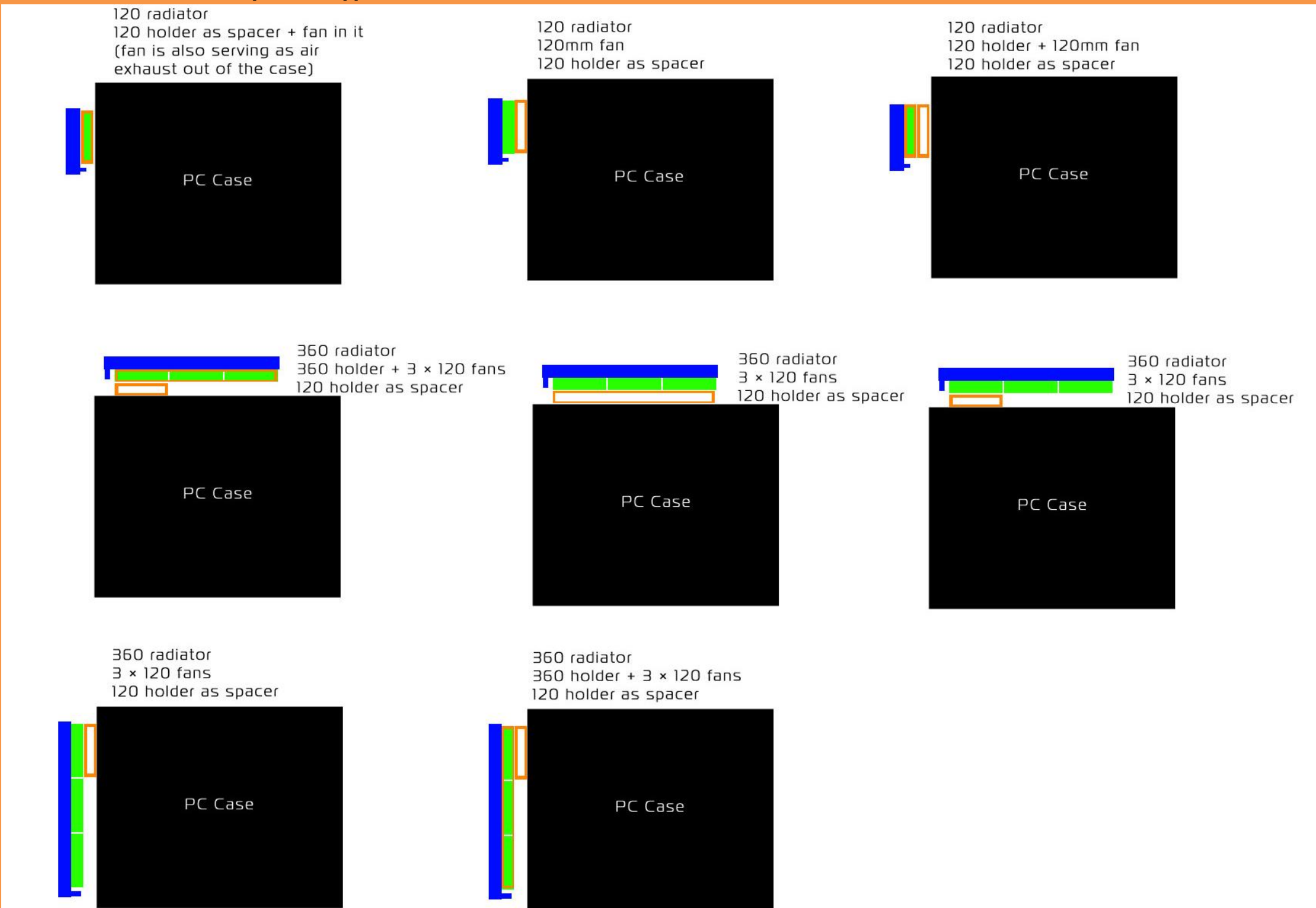
Pictures 8 and 9: A triple 360 radiator mounted on the top of the case with single 120 UNI RAD Holder as a spacer and triple RAD UNI Holder as a FAN mask.



Picture 10: Installing the radiator using 4 plastic Standoffs

Picture 11: Needed tools

STEP 3: Some sketches of possible application of EK-UNI RAD Holders



CAUTION!!!

When mounting the radiator with screws, always make sure the screws are not too long. Using too long screws may cause the screws to penetrate too deep into radiator, damaging the radiator tubes, rendering it useless.