

This product is intended for installation only by expert users. Please consult with a qualified technician for installation. Improper installation may result in damage to your equipment. EK Water Blocks assumes no liability whatsoever, expressed or implied, for the use of these products, nor their installation. The following instructions are subject to change without notice. Please visit our web site at www.ekwaterblocks.com for updates. Before installation of this product please read important notice, disclosure and warranty conditions printed on the back of the box.

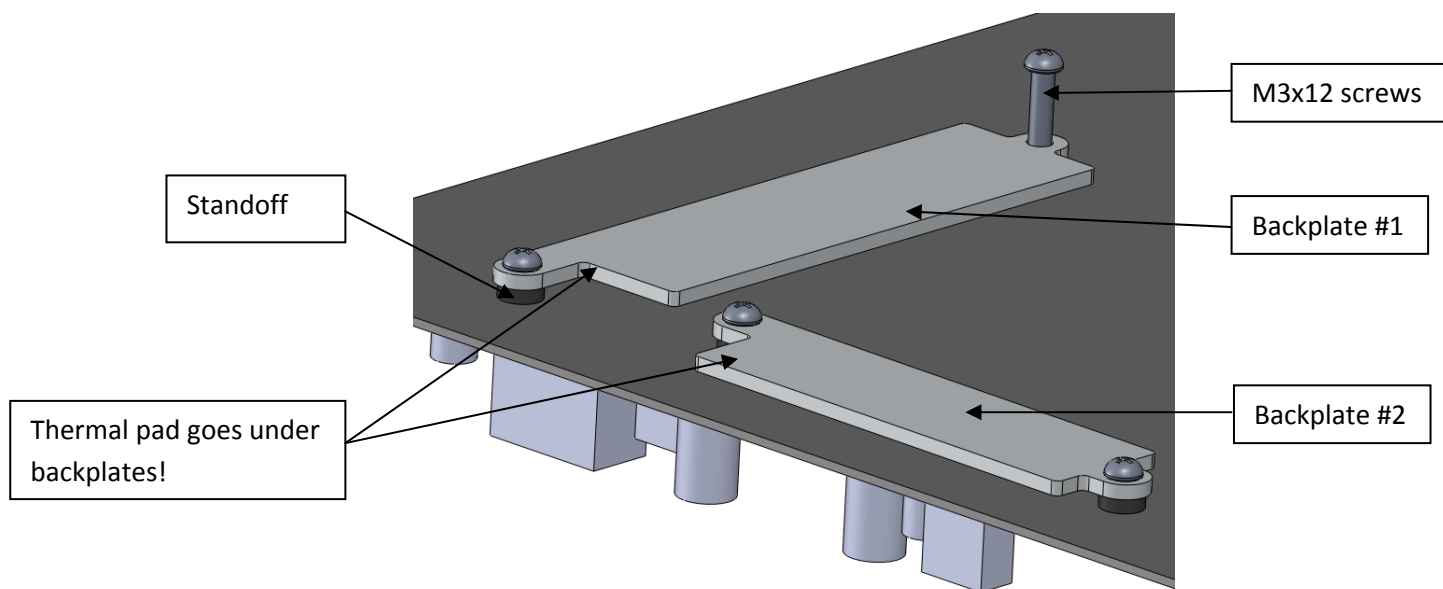
The barb hose fittings require only a small amount of force to screw them in; otherwise the high flow fittings might break. These fittings do not need to be tightened with much force because the liquid seal is made using o-rings.

STEP 1: GENERAL INFORMATION. Sample picture of mosfets area on P6X58D Premium motherboard (stock backplates are on the other side)



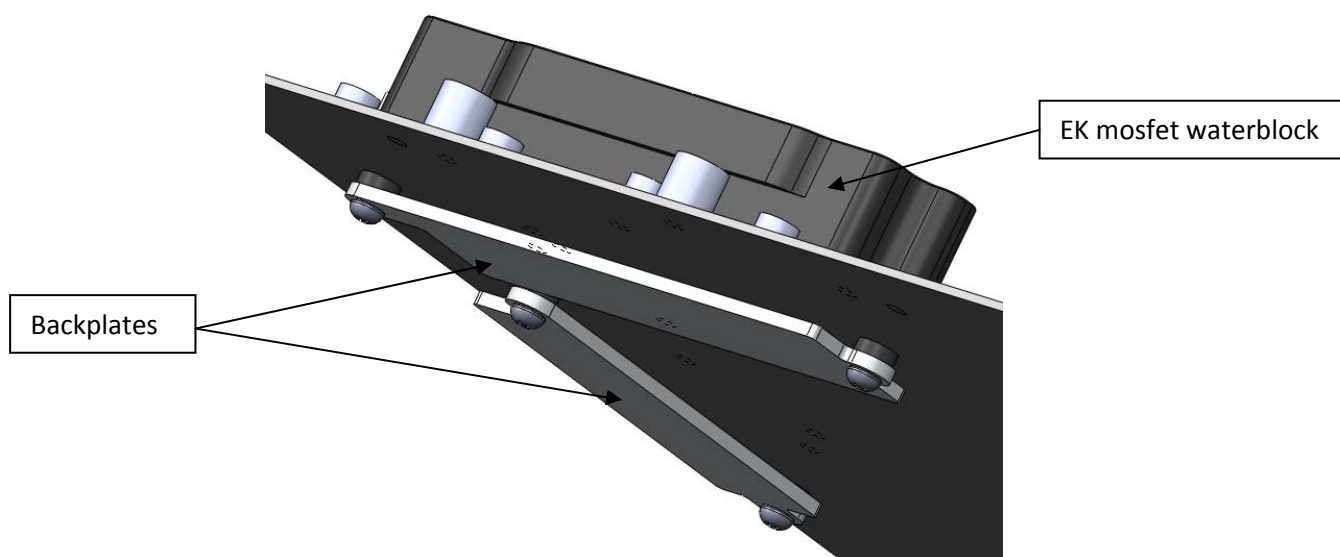
STEP 2: PREPARING YOUR MOTHERBOARD

1. Remove stock cooler and carefully detach stock backplates. Gently remove stock thermal pads and keep them! Take your EK backplates out of bag. Afterwards place stock thermal pads over mosfet chips and mount backplates as shown on picture. Make sure you use standoffs. That way you prevent possible motherboard bending.



STEP 3: ATTACHING WATERBLOCKS

1. Please attach EK-MOSFET ASUS X58 KIT waterblocks according to its manual. Try to screw in mounting screws equally and as far as standoff allow it. Final product should look like on sample picture bellow.



REQUIRED TOOLS AND MOUNTING SCREWS:



4 x screws M3x12 7985DIN

This product is intended for installation only by expert users. Please consult with a qualified technician for installation. Improper installation may result in damage to your equipment. EK Water Blocks assumes no liability whatsoever, expressed or implied, for the use of these products, nor their installation. The following instructions are subject to change without notice. Please visit our web site at www.ekwaterblocks.com for updates. Before installation of this product please read important notice, disclosure and warranty conditions printed on the back of the box.

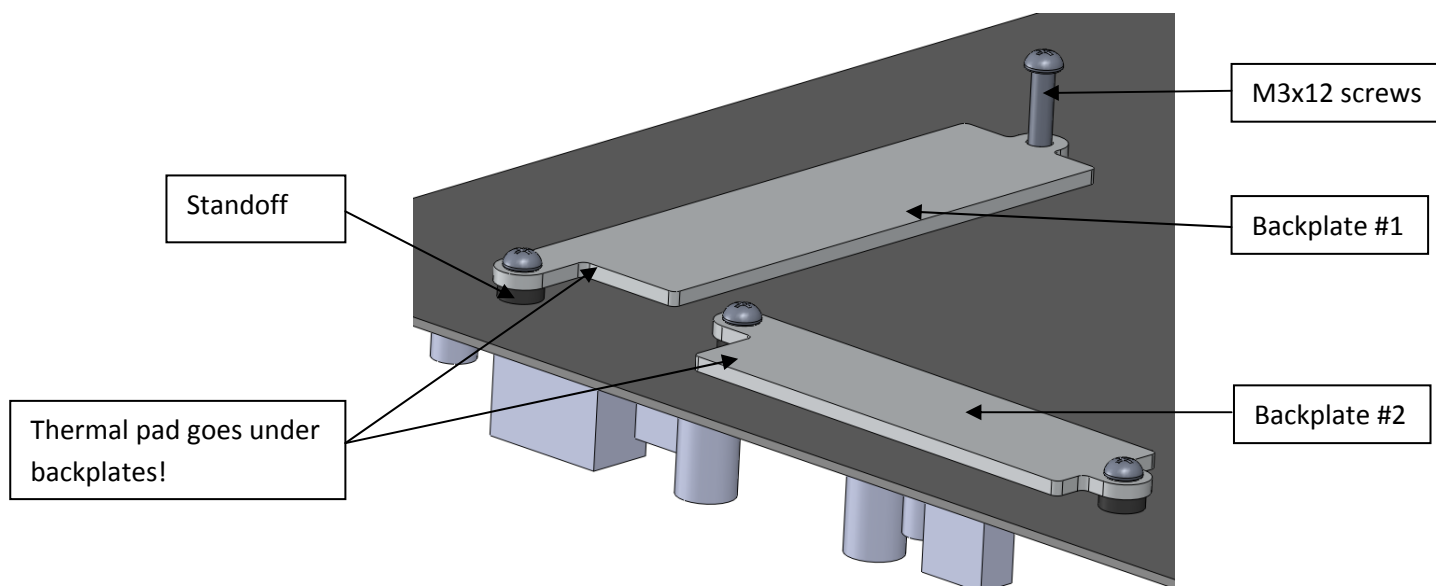
The barb hose fittings require only a small amount of force to screw them in; otherwise the high flow fittings might break. These fittings do not need to be tightened with much force because the liquid seal is made using o-rings.

STEP 1: GENERAL INFORMATION. Sample picture of mosfets area on P6X58D Premium motherboard (stock backplates are on the other side)



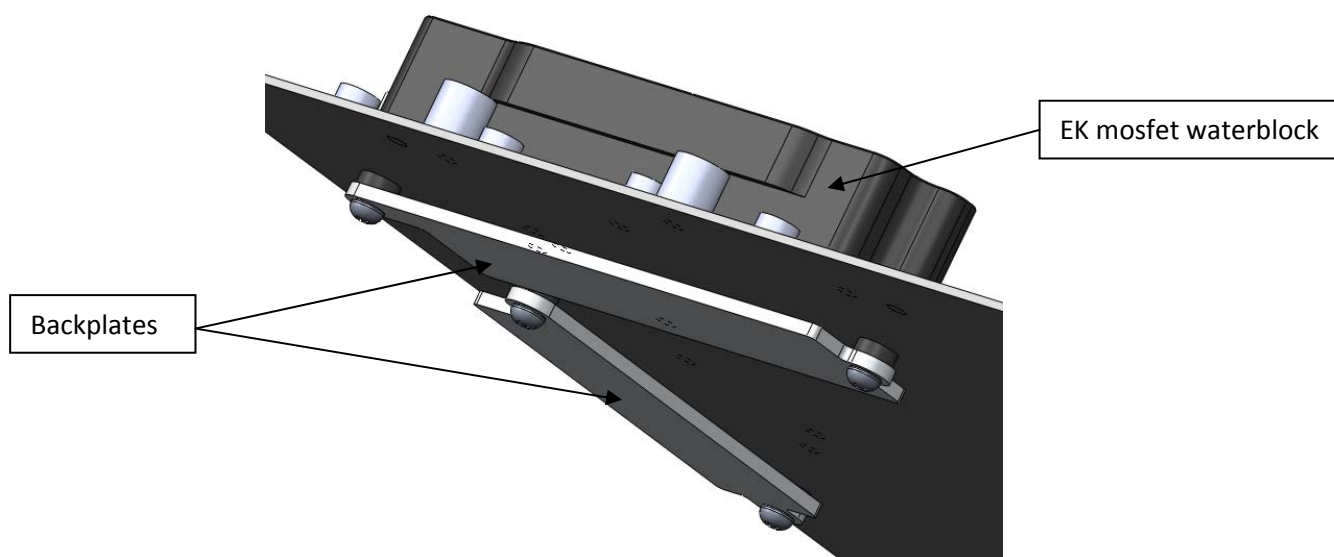
STEP 2: PREPARING YOUR MOTHERBOARD

1. Remove stock cooler and carefully detach stock backplates. Gently remove stock thermal pads and keep them! Take your EK backplates out of bag. Afterwards place stock thermal pads over mosfet chips and mount backplates as shown on picture. Make sure you use standoffs. That way you prevent possible motherboard bending.

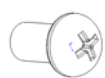


STEP 3: ATTACHING WATERBLOCKS

1. Please attach EK-MOSFET ASUS X58 KIT waterblocks according to its manual. Try to screw in mounting screws equally and as far as standoff allow it. Final product should look like on sample picture bellow.



REQUIRED TOOLS AND MOUNTING SCREWS:



4 x screws M3x12 7985DIN