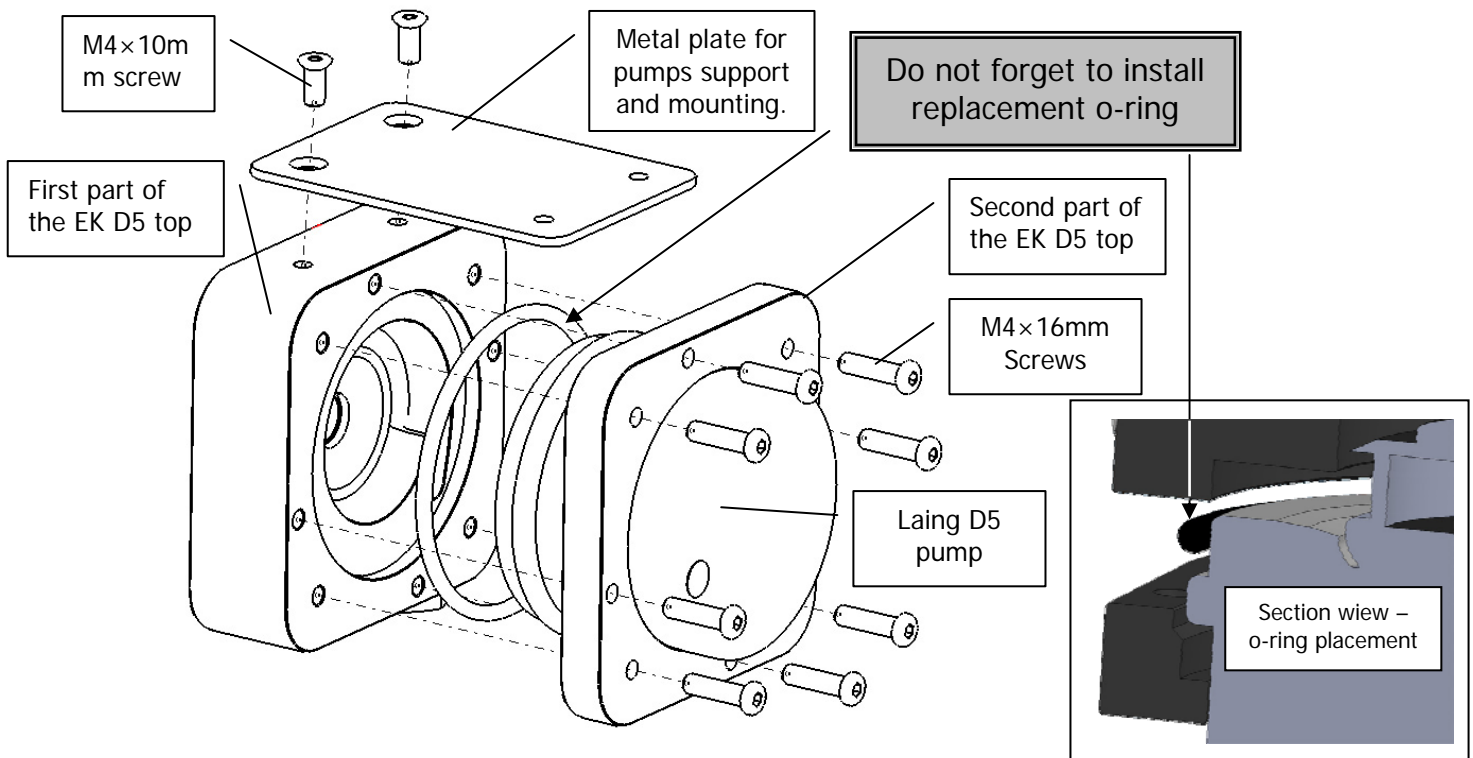


# Installation and mounting manuals for EK-D5 X-Top Rev2:

This product is intended for expert users. Please consult with a qualified technician for installation. Improper installation may result in damage to your components. EK Water Blocks assumes no liability whatsoever, expressed or implied, for the use of these products, nor their installation. The following instructions are subject to change without notice. Please visit our web site at [www.ekwaterblocks.com](http://www.ekwaterblocks.com) for updates.

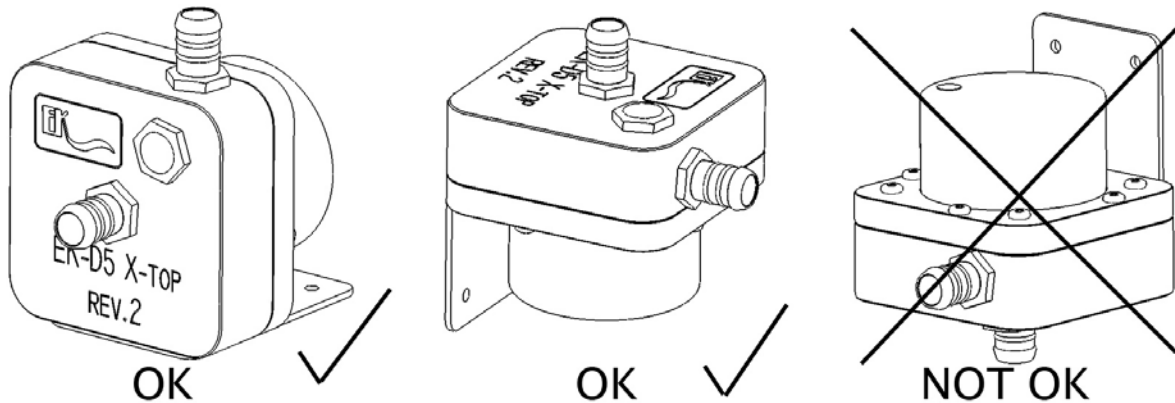
**Step 1.** Remove the original top from the Laing D4/D5 series pump.

**Step 2.** Mount Laing D5 pump to the EK-D5 X-Top like shown on the bottom picture:



Picture 1: Assembling the EK-D5 X-Top rev.2 to Laing D4/D5, Swiftech MCP655 branded Pump

**Step 3.** Screw all M4x16mm screws and M4x10mm screws for standing/mounting plate.



Do not install the EK-D5 X-Top so the pump is turned upside down (third picture).

**VERY IMPORTANT NOTICE :**

Once the installation is completed, it is always a good idea to test the circuit for leaks, prior to powering up the computer. We recommend a 24 hour leak test prior to powering up the computer.

**IMPORTANT DISCLOSURES:**

While all efforts have been made to provide the most comprehensive tutorial possible, EK Water Blocks assumes no liability expressed or implied for any damage(s) occurring to your components as a result of using EK Water Blocks cooling products, either due to mistake or omission on our part in the above instructions, or due to failure or defect in the EK Water Blocks cooling products.

**WARRANTY:**

Our products are guaranteed for 24 months from the date of delivery to the final user against defects in materials or workmanship. During this period, they will be repaired or have parts replaced provided that: (I) the product is returned to the agent from which it was purchased; (II) the product has been purchased by the end user and not used for hire purposes; (III) the product has not been misused, handled carelessly, or other than in accordance with any instructions provided with respect to its use. This guarantee does not confer rights other than those expressly set out above and does not cover any claims for consequential loss or damage. This guarantee is offered as an extra benefit and does not affect your statutory rights as a consumer.