

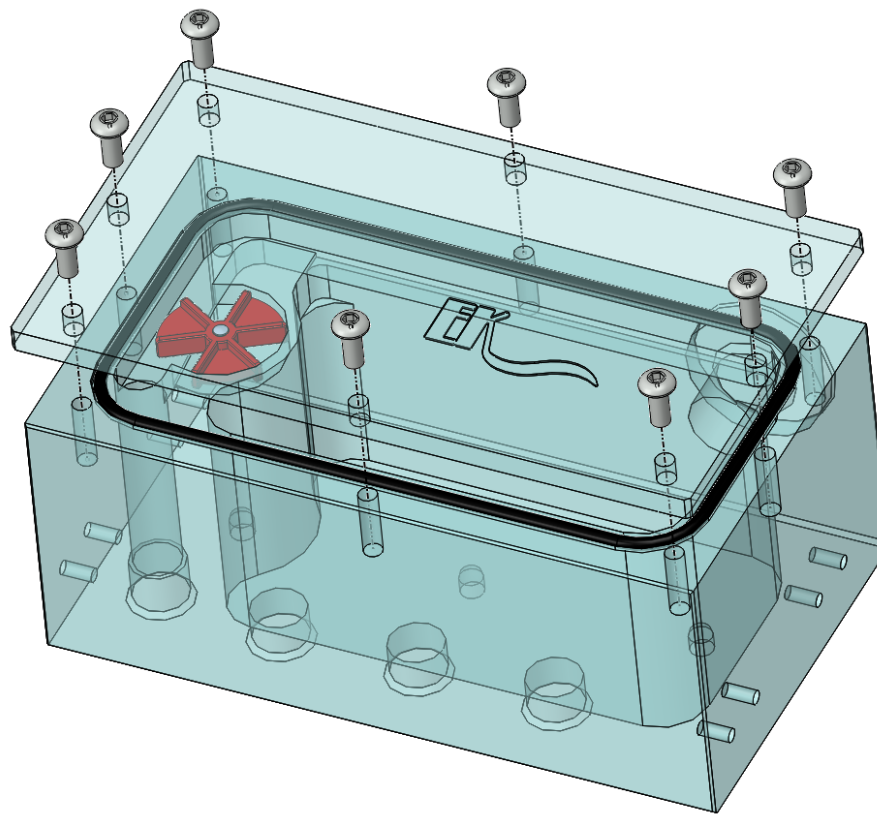
This product is intended for installation only by expert users. Please consult with a qualified technician for installation. Improper installation may result in damage to your equipment. EKWB d.o.o. assumes no liability whatsoever, expressed or implied, for the use of these products, nor their installation. The following instructions are subject to change without notice. Please visit our web site at www.ekwaterblocks.com for updates. **The barb hose fittings require only a small amount of force to screw them in; otherwise the high flow fittings might break. These fittings do not need to be tightened with much force because the liquid seal is made using o-rings.** EKWB recommends 24 hour leak testing for all EK products before powering on the computer. This will eliminate any damages that may occur because of the users improper installation or products imperfections.

STEP 1: GENERAL INFORMATION. Sample picture of EK-BAY SPIN reservoir



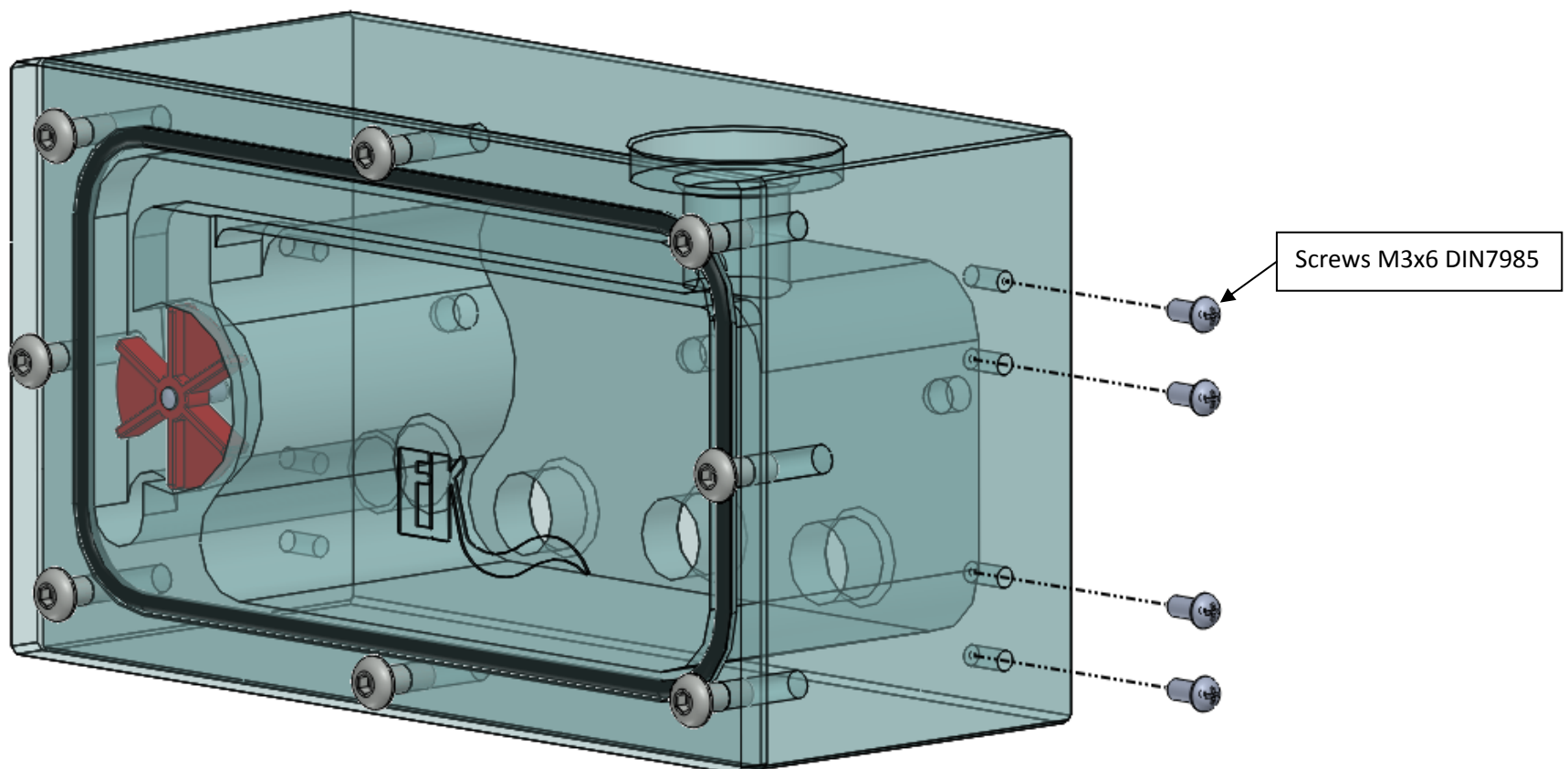
STEP 2: PREPARING YOUR RESERVOIR

Take your reservoir and place it on a table. If you bought extra impellers and you wish to change them, then simply unscrew all screws attached (with enclosed allen key) to acrylic top and replace impeller. Before closing reservoir blow gently on impeller and make sure it spins flawlessly and without any unusual noises. If you suspect disturbances, please check hole in impeller. When attaching top back to housing make sure you do not use too much force since acrylic is prone to cracking. Usually when gasket flattens equally this means enough force has been used and sealing .



STEP 3: PLACING RESERVOIR IN YOUR CASE

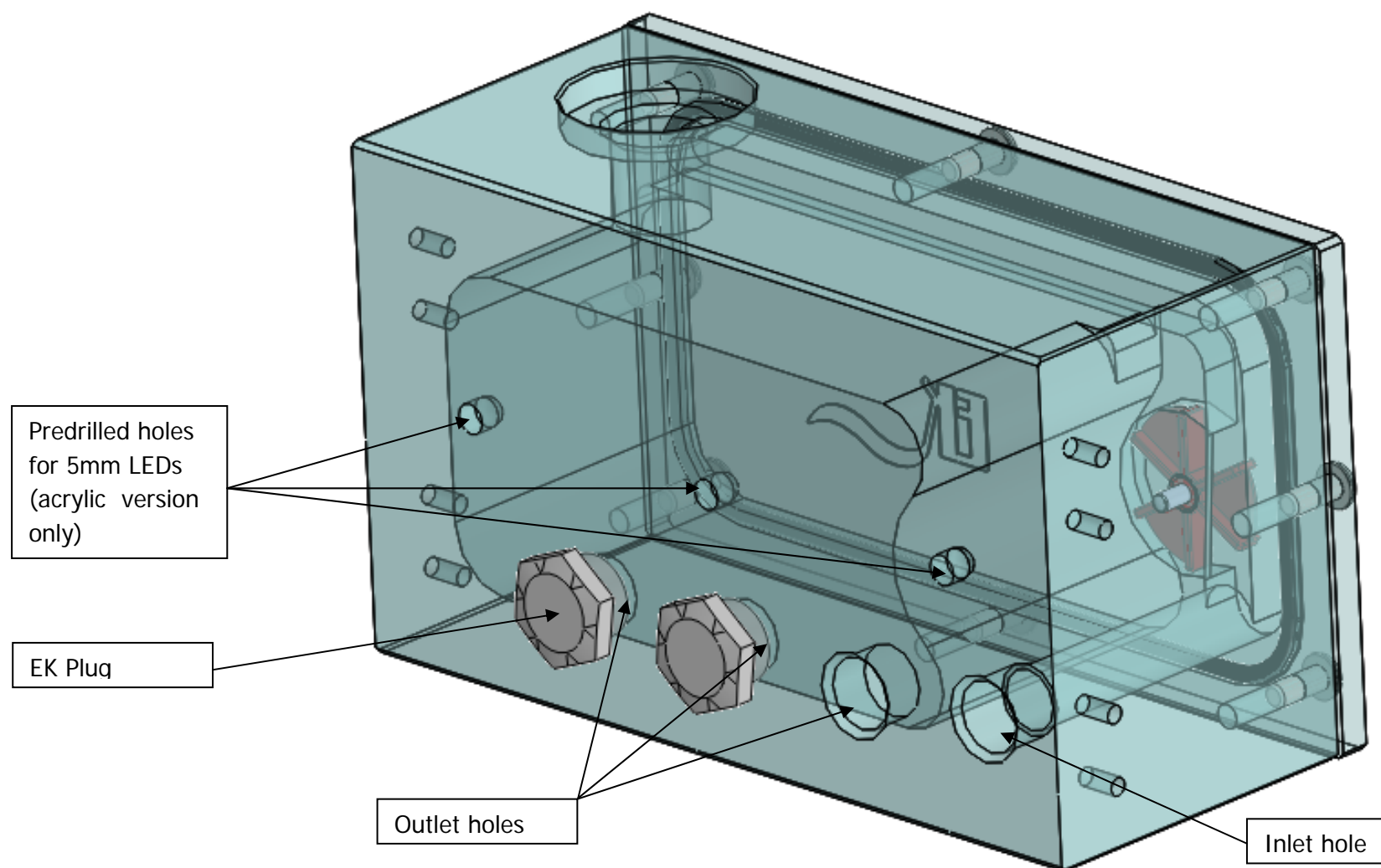
Place reservoir in your DUAL 5.25" case bay out with impeller. Make sure you attach it with enclosed screws.



STEP 4: CONNECTING YOUR RESERVOIR

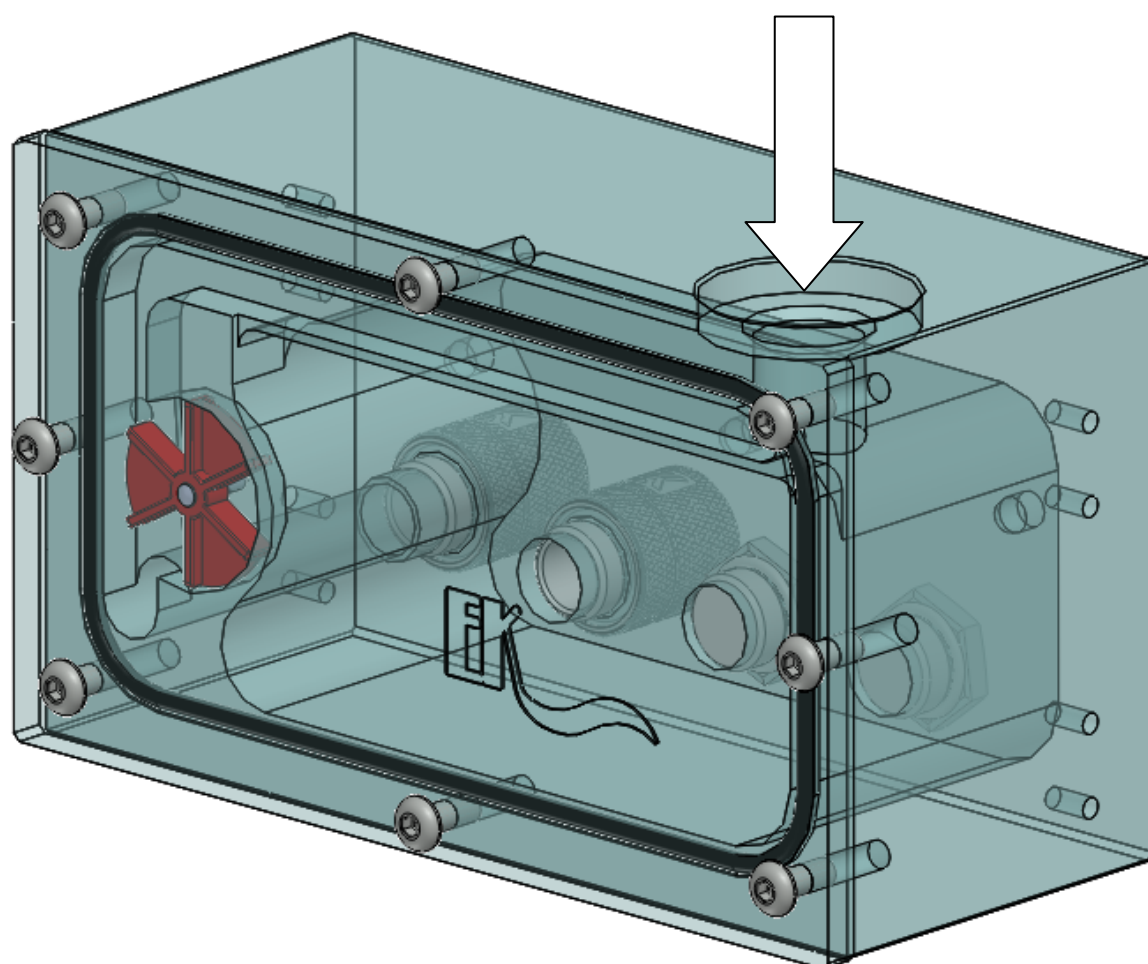
You can use any holes marked as inlet or outlet holes, except the inlet hole marked on bottom picture can be used only as inlet, not as outlet. However to make reservoir fully functional used holes as marked below.

In case you experience high flow or emerging bubbles, try using 3rd hole from inlet hole as your outlet hole to diminish the effect. In each case make sure outlet holes are plugged with enclosed plugs.



STEP 5: FILL RESERVOIR

Fill reservoir through fill port (marked by arrow) and make sure liquid is not spilled all over your computer or any electrical devices nearby. Run your pump shortly for couple of times to make sure water floods your tubes and other water cooling components. Repeat that step by observing water level in your reservoir. Ideally there should be as much water to make waterfall still available in reservoir. When you are done with filling, please close your reservoir with plug and tighten it with enclosed allen key.



STEP 5: OTHER INSTRUCTIONS

Please note that EKWB holds no responsibility of any kind if assembly is not made by instructions. This applies also for all products that are not listed as compatible on web page. Users must by all means also consider instructions that are being made for proper use of pump and other water cooling components provided by manufacturer(s).

HINT: Never let your pump dry running. If that happens for prolonged period of time you risk destroying bearing and rendering pump useless.