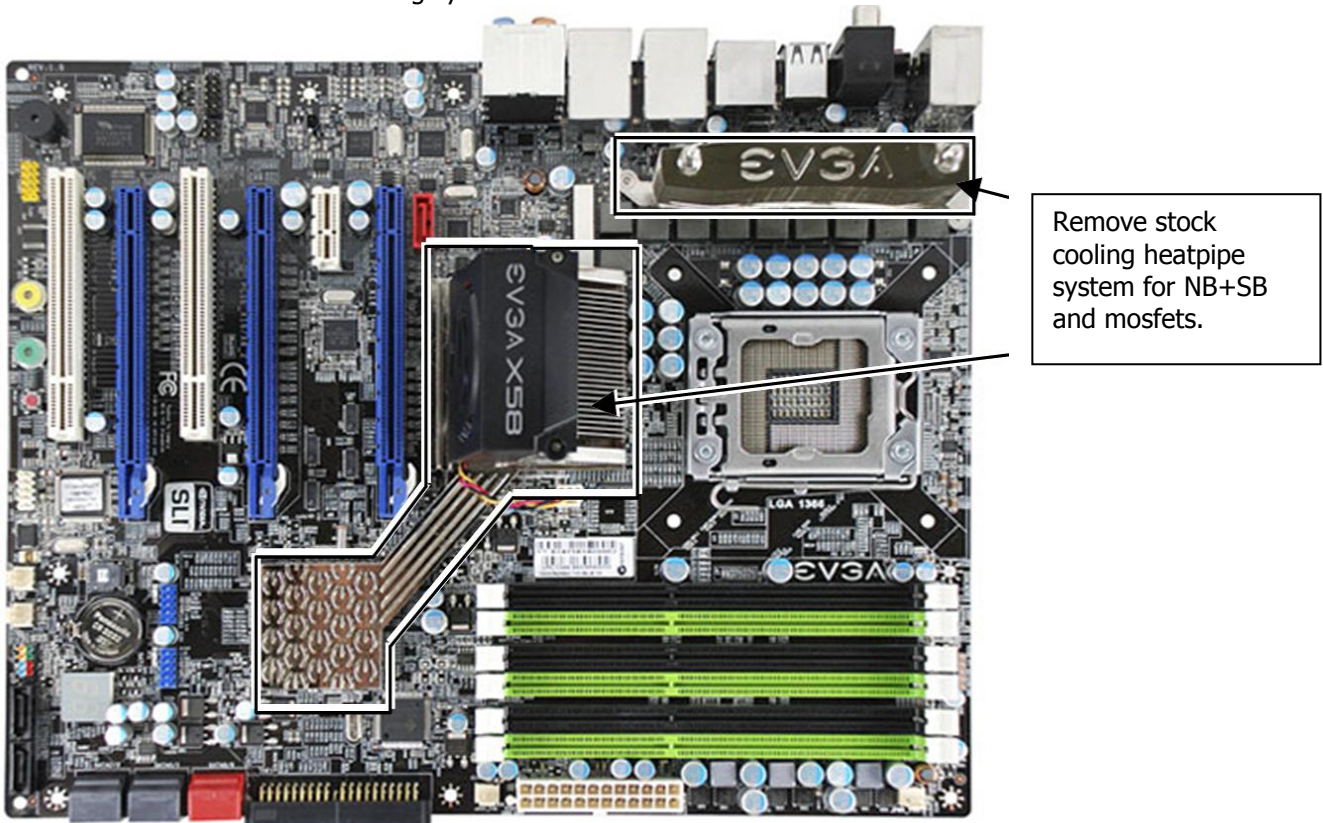


Installation and mounting instructions for **EK-FB KIT EVGA X58** water blocks:

This product is intended for expert users. Please consult with a qualified technician for installation. Improper installation may result in damage to your components. EK Water Blocks assumes no liability whatsoever, expressed or implied, for the use of these products, nor their installation. The following instructions are subject to change without notice. Please visit our web site at www.ekwaterblocks.com for updates or local reseller.

If you need to screw in the fittings, please use small amount of force otherwise the high flow fittings might break. The fittings do not need to be tightened with high force.

Step 1. Please remove the motherboard from the computer case and unscrew all the screws on the back of the motherboard that hold stock cooling system.



Picture 1: EVGA X58 motherboard

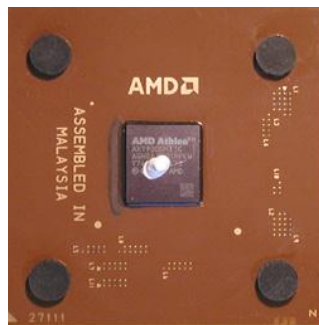
Step 2. Remove the stock cooling heat pipe system.

Step 3. Apply thermal compound: lightly coat the heatpipe system over the northbridge with for example Céramique™ thermal compound. Follow this link http://www.arcticsilver.com/ceramique_instructions.htm for detailed instructions. EK Water Blocks recommends non-conductive thermal compound.

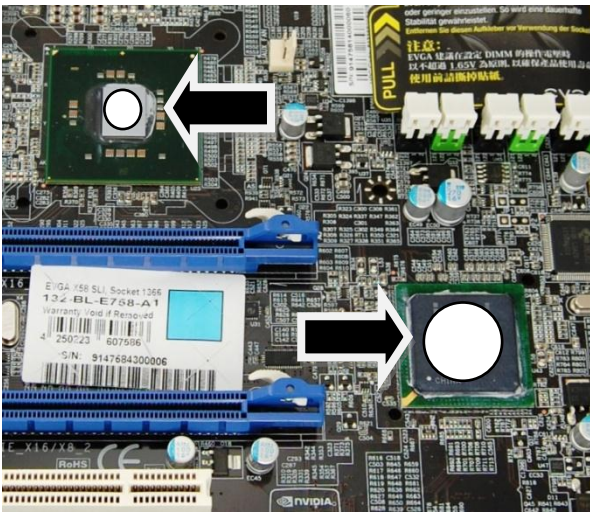


← Rub some compound in base of water-block first, and then clean off with lint-free cloth.

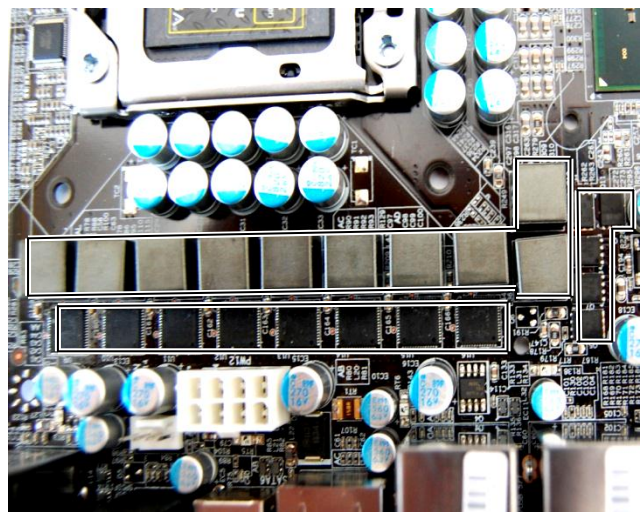
Apply small amount of compound on the NB/SB core like on CPU.



Step 4. Cut enclosed thermal pads to needed custom sizes in and make sure all surfaces on VRM's are covered! See picture 5.



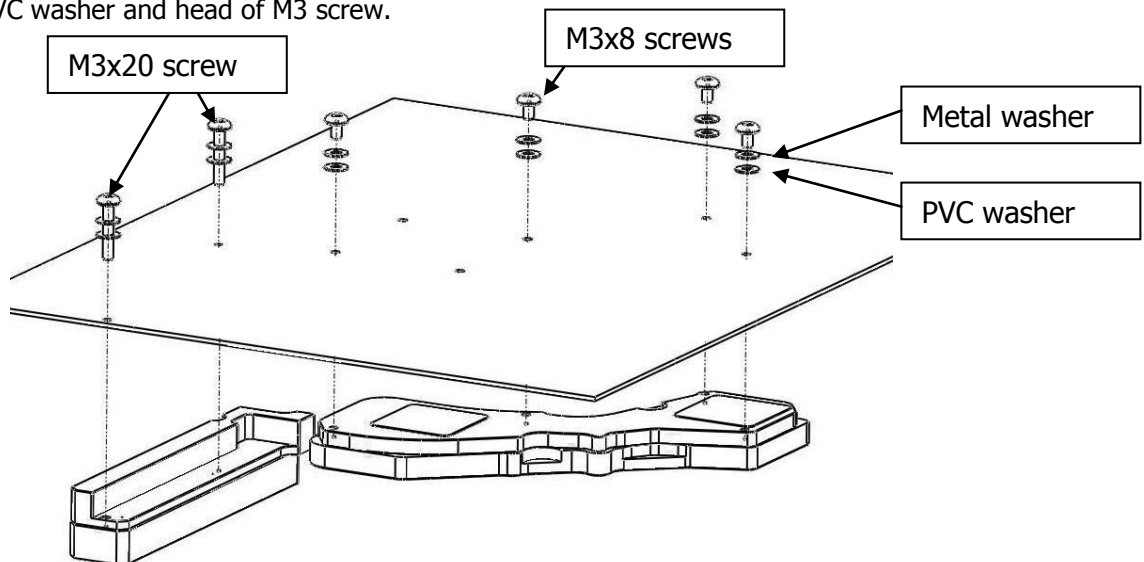
Picture 4: Apply thermal grease on NB and SB chipsets like shown in step 3.



Picture 5: Place appropriate sizes of enclosed thermal pads in order to cover marked VRMs

Please use to install FB block four M3×8mm screws as shown on picture 6. For Mosfet block, please use two M3x20 screws as shown.

Make sure you place M3 PVC washer so it has direct contact with motherboard and then M3 metal washer between the PVC washer and head of M3 screw.



Picture 6: Installing the blocks.

Step 5. Tighten all M3 screws equally and gradually to prevent the chipset cores from breaking. Please be very careful while screwing Mosfet block. In case of using too much force bending of copper base might occur and lead to poor performance.

Step 6. Remove the block and check for contact surface. Then repeat steps 3 to 5. And apply more or less pressure on area where you have found it necessary.

Step 7. Connect the water-block(s) to your water cooling system and attach the tubes. Any fitting can be used as an inlet. To ensure the tubes stays properly on the fittings please use hose clamps or appropriate substitute. The use of an algacide is nonetheless recommended in any liquid cooling system.

VERY IMPORTANT NOTICE

Once the installation is completed, it is always a good idea to test the circuit for leaks, prior to powering up the computer. We recommend a 24 hour leak test prior to powering up the computer. Do not test the water block directly from city water pressure. This will bow the top of the housing and render the block unusable (and will void your warranty).

IMPORTANT DISCLOSURES:

While all efforts have been made to provide the most comprehensive tutorial possible, EK Water Blocks assumes no liability expressed or implied for any damage(s) occurring to your components as a result of using EK Water Blocks cooling products, either due to mistake or omission on our part in the above instructions, or due to failure or defect in the EK Water Blocks cooling products.

WARRANTY:

Our products are guaranteed for 24 months from the date of delivery to the final user against defects in materials or workmanship. During this period, they will be repaired or have parts replaced provided that: (I) the product is returned to the agent from which it was purchased; (II) the product has been purchased by the end user and not used for hire purposes; (III) the product has not been misused, handled carelessly, or other than in accordance with any instructions provided with respect to its use. This guarantee does not confer rights other than those expressly set out above and does not cover any claims for consequential loss or damage. This guarantee is offered as an extra benefit and does not affect your statutory rights as a consumer. **The guarantee is not valid if there are used aggressive UV additives.**