

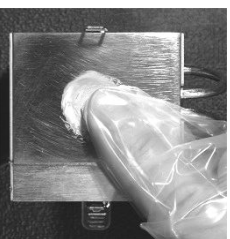
Installation and mounting instructions for **EK-NB S-MAX** water block:

This product is intended for expert users. Please consult with a qualified technician for installation. Improper installation may result in damage to your components. EK Water Blocks assumes no liability whatsoever, expressed or implied, for the use of these products, nor their installation. The following instructions are subject to change without notice. Please visit our web site at www.ekwaterblocks.com for updates or national reseller.

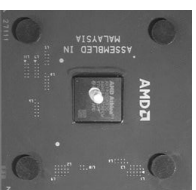
If you need to screw in the fittings, please use small amount of force otherwise the high flow fittings might break. The fittings do not need to be tightened with high force.

Step 1. Remove Motherboard from the cabinet and mount the block on a flat surface.

Step 2. Apply thermal compound: lightly coat the North Bridge core with for example Céramique™ thermal compound. Follow this link http://www.arcticsilver.com/ceramique_instructions.htm for detailed instructions. EK Water Blocks recommends non-conductive thermal compound.

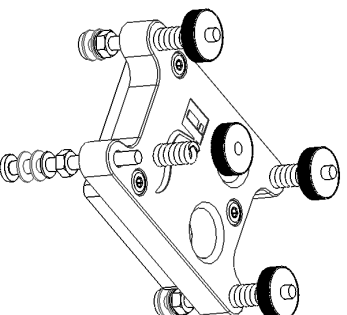


← Rub some compound in base of water-block first, and then clean off with lint-free cloth.



Apply small → amount of compound on the NB core like on CPU.

Step 3. Install the long M3 screws, spring with PVC washer, metal washer and M3 nut as seen on picture 1.



Picture 1: Installing EK-NB S-MAX

Step 4. Tighten all screws equally and gradually each screw to prevent the core from breaking.

Step 5. Connect the water-block(s) to your water cooling system and attach the tubes. Any fitting can be used as an inlet. The *EK-NB S-MAX* usually series are shipped with two fittings. To insure the tubes stays properly on the fittings please use hose clamps or appropriate substitute. The use of an algaecide is nonetheless recommended in any liquid cooling system.

VERY IMPORTANT NOTICE

Once the installation is completed, it is always a good idea to test the circuit for leaks, prior to powering up the computer. We recommend a 24 hour leak test prior to powering up the computer. Do not test the water block directly from city water pressure. This will bow the top of the housing and render the block unusable (and will void your warranty).

IMPORTANT DISCLOSURES:

While all efforts have been made to provide the most comprehensive tutorial possible, EK Water Blocks assumes no liability expressed or implied for any damage(s) occurring to your components as a result of using EK Water Blocks cooling products, either due to mistake or omission on our part in the above instructions, or due to failure or defect in the EK Water Blocks cooling products.

WARRANTY:

Our products are guaranteed for 24 months from the date of delivery to the final user against defects in materials or workmanship. During this period, they will be repaired or have parts replaced provided that: (I) the product is returned to the agent from which it was purchased; (II) the product has been purchased by the end user and not used for hire purposes; (III) the product has not been misused, handled carelessly, or other than in accordance with any instructions provided with respect to its use. This guarantee does not confer rights other than those expressly set out above and does not cover any claims for consequential loss or damage. This guarantee is offered as an extra benefit and does not affect your statutory rights as a consumer. **The guarantee is not valid if there are used aggressive UV additives.**

Installation and mounting instructions for **EK-NB S-MAX** water block:

This product is intended for expert users. Please consult with a qualified technician for installation. Improper installation may result in damage to your components. EK Water Blocks assumes no liability whatsoever, expressed or implied, for the use of these products, nor their installation. The following instructions are subject to change without notice. Please visit our web site at www.ekwaterblocks.com for updates or national reseller.

If you need to screw in the fittings, please use small amount of force otherwise the high flow fittings might break. The fittings do not need to be tightened with high force.

Step 1. Remove Motherboard from the cabinet and mount the block on a flat surface.

Step 2. Apply thermal compound: lightly coat the North Bridge core with for example Céramique™ thermal compound. Follow this link http://www.arcticsilver.com/ceramique_instructions.htm for detailed instructions. EK Water Blocks recommends non-conductive thermal compound.

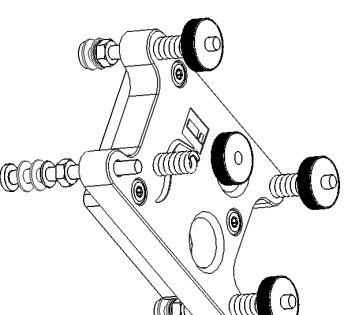


← Rub some compound in base of water-block first, and then clean off with lint-free cloth.



Apply small → amount of compound on the NB core like on CPU.

Step 3. Install the long M3 screws, spring with PVC washer, metal washer and M3 nut as seen on picture 1.



Picture 1: Installing EK-NB S-MAX

Step 4. Tighten all screws equally and gradually each screw to prevent the core from breaking.

Step 5. Connect the water-block(s) to your water cooling system and attach the tubes. Any fitting can be used as an inlet. The *EK-NB S-MAX* usually series are shipped with two fittings. To insure the tubes stays properly on the fittings please use hose clamps or appropriate substitute. The use of an algaecide is nonetheless recommended in any liquid cooling system.

VERY IMPORTANT NOTICE

Once the installation is completed, it is always a good idea to test the circuit for leaks, prior to powering up the computer. We recommend a 24 hour leak test prior to powering up the computer. Do not test the water block directly from city water pressure. This will bow the top of the housing and render the block unusable (and will void your warranty).

IMPORTANT DISCLOSURES:

While all efforts have been made to provide the most comprehensive tutorial possible, EK Water Blocks assumes no liability expressed or implied for any damage(s) occurring to your components as a result of using EK Water Blocks cooling products, either due to mistake or omission on our part in the above instructions, or due to failure or defect in the EK Water Blocks cooling products.

WARRANTY:

Our products are guaranteed for 24 months from the date of delivery to the final user against defects in materials or workmanship. During this period, they will be repaired or have parts replaced provided that: (I) the product is returned to the agent from which it was purchased; (II) the product has been purchased by the end user and not used for hire purposes; (III) the product has not been misused, handled carelessly, or other than in accordance with any instructions provided with respect to its use. This guarantee does not confer rights other than those expressly set out above and does not cover any claims for consequential loss or damage. This guarantee is offered as an extra benefit and does not affect your statutory rights as a consumer. **The guarantee is not valid if there are used aggressive UV additives.**