

EK-Supremacy

PreciseMount Add-on "Naked Ivy"

This product is intended for installation only by expert users. Please consult with a qualified technician for installation. Improper installation may result in damage to your equipment. EK Water Blocks assumes no liability whatsoever, expressed or implied, for the use of these products, nor their installation. The following instructions are subject to change without notice. Please visit our web site at www.ekwb.com for updates. Before installation of this product please read important notice, disclosure and warranty conditions printed on the back of the box.

Before you start using this product please follow these basic guidelines:

1. Please carefully read the manual before through before beginning with the installation process!
2. Please remove your motherboard from the computer to assure safest mounting process in order to prevent any possible damages to your CPU and/or motherboard's circuit board (PCB).
3. The EK High Flow and EK-PSC type fittings require only a small amount of force to screw them firmly in place since the liquid seal is ensured by the rubber o-ring gaskets.
4. The use of corrosion inhibiting coolants is always recommended for any liquid cooling system.

IMPORTANT DISCLOSURES

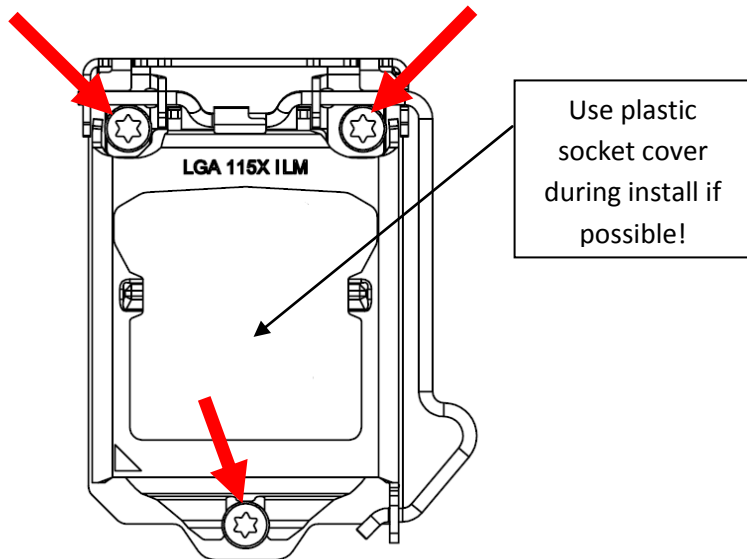
CAUTION: This mounting mechanism add-on is intended for use only with third generation Intel Core i3/i5/i7 CPUs (22nm Ivy Bridge architecture) that have their IHS (Integrated Heat Spreader) removed by the user. **This product is compatible only with EK-Supremacy series CPU water block.**

Before you start please follow these guidelines:

1. This product is intended to be used by expert users only as removing the CPU HIS is a delicate process. EK Water Blocks will not be held responsible for any failed removal operation that resulted in death of the computer component!
2. Please note that removing the IHS from the Intel CPU will result in voiding the warranty!
3. Please do not try to remove IHS from previous generation Intel Core i3/i5/i7 CPUs (such as *Sandy Bridge*, *Clarkdale* and *Arrandale*) as the core is soldered to the IHS with aforementioned models. Any attempts to remove the IHS from such processor will result in irreparable damage to the CPU!

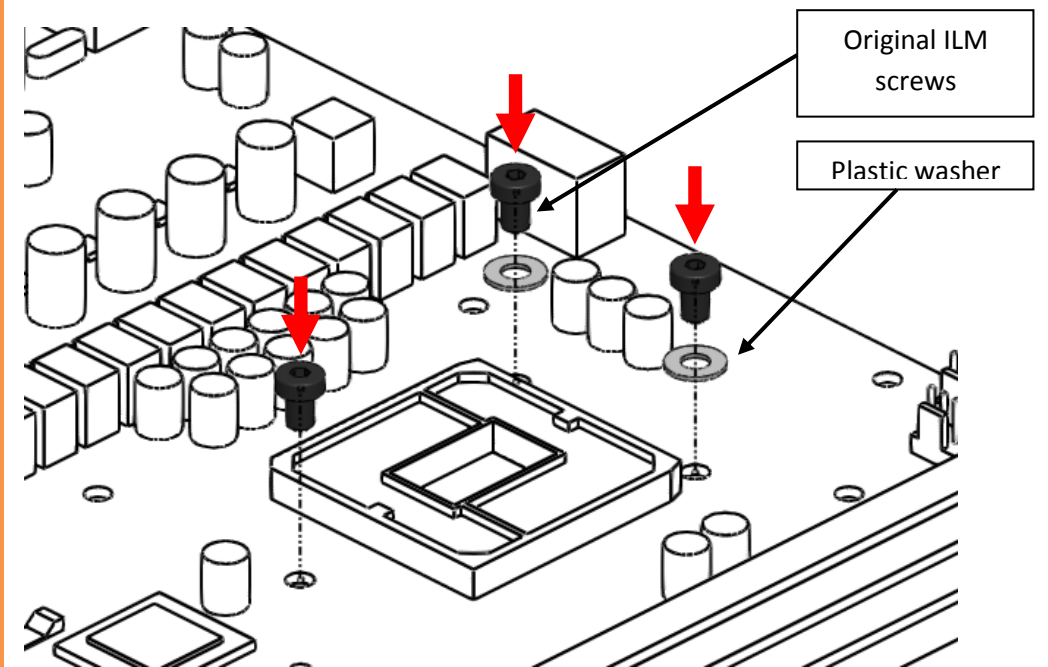
STEP 1: REMOVING THE ORIGINAL LATCH MECHANISM

Please remove your motherboard from the computer to assure safest mounting process possible in order to prevent any possible damages to your PCB. With the enclosed Torx T20 key please remove the three screws securing the socket latch mechanism (ILM) and original backplate (BP) to the motherboard. **Make sure you have install the plastic cover over the socket pins during this procedure!**



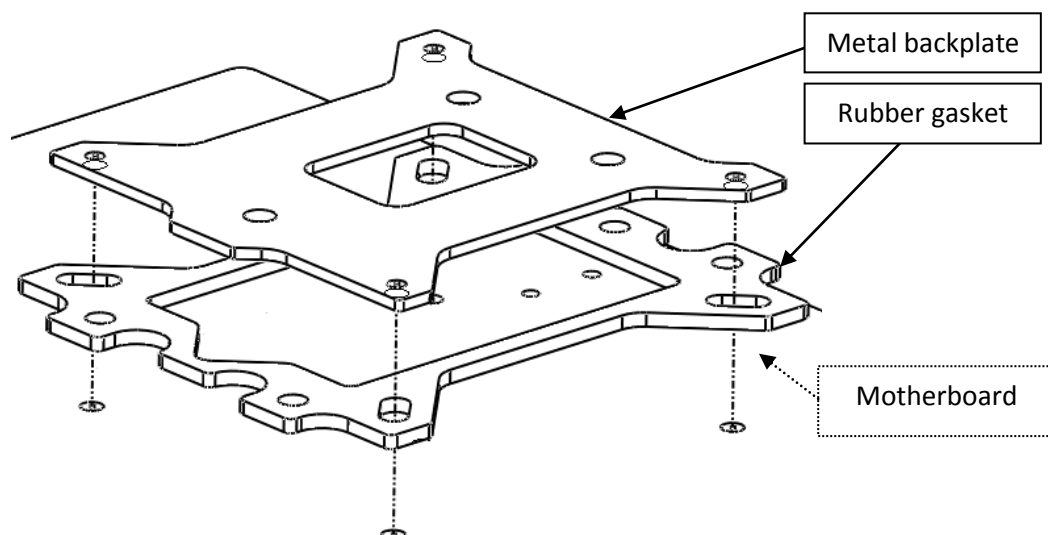
STEP 2: REINSTALLING THE ILM (SOCKET) BACKPLATE

Align the Socket's ILM Backplate with the three openings (holes) on the circuit board. Reinstall all three socket's original screws using plastic washers underneath two screws using enclosed Torx T20 key. This will secure the ILM backplate back into its original position.



STEP 3: INSTALLING THE EK-SUPREMACY BACKPLATE (LGA-115x)

- 1) Place motherboard on an even surface with front facing down. Make sure to protect now exposed CPU socket!
- 2) Install backplate rubber gasket - depending on your CPU platform (see STEP 4 of EK-Supremacy installation manual) - and place metal backplate for Intel LGA-115x socket to the back of your motherboard. Align the holes on the motherboard with holes on rubber gasket and backplate. **Make sure to orientate the rubber gasket to fit past the CPU socket ILM backplate.**
- 3) Carefully rotate motherboard assembly with front side facing up with one hand while holding the backplate and rubber in place with the other hand.
- 4) Install the rest of mounting system as per installation manual (see STEP 4)

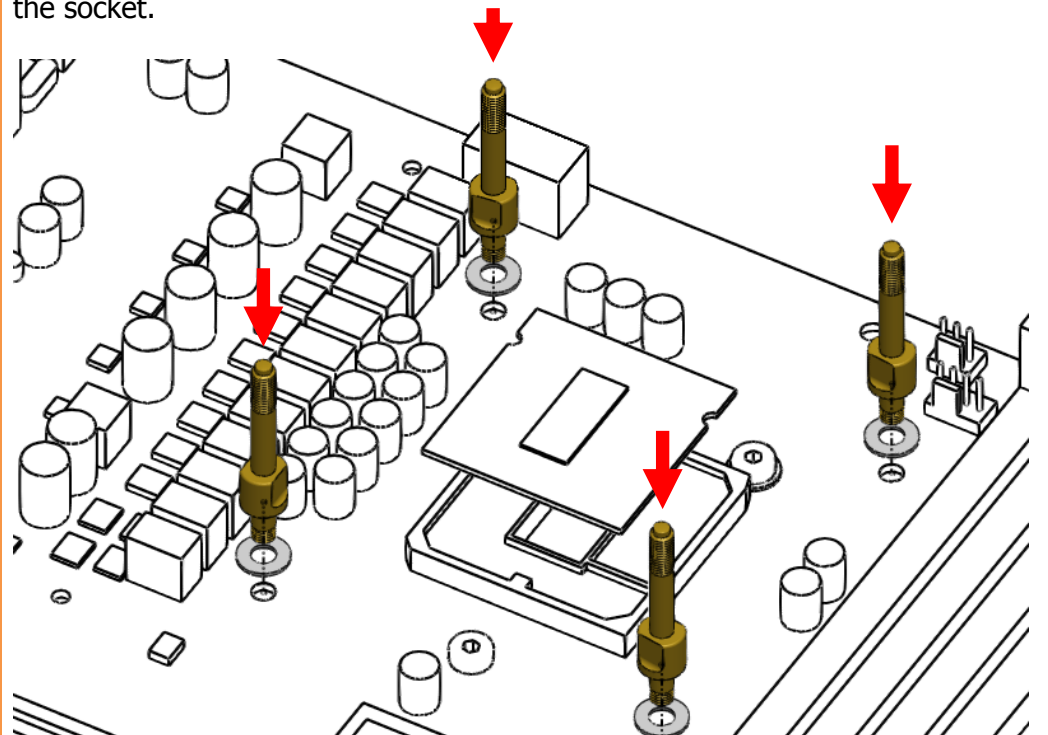


STEP 4: INSTALLING THE WATER BLOCK

STEP 4.1: Installing the mounting screws:

Install the M4 thumb screws of the PreciseMount Add-on "Naked Ivy" mounting system onto your motherboard. It is mandatory to put 0.7mm plastic washer underneath each of these four M4 thumb screws. Tighten the M4 thumb screw to the metal backplate with your hands until you reach the end of the thread. You also use 6mm mini wrench to tighten the screws to the motherboard.

You may now install your delided 3rd generation Intel Core i3/i5/i7 CPU into the motherboard socket. You may use scotch tape to secure the CPU to edges of the socket.



STEP 4.2: Installing the water block & finishing the installation:

Follow EK-Supremacy installation manual in order to finish the installation - complete the following steps: STEP 5.d, -5.e and STEP 6.