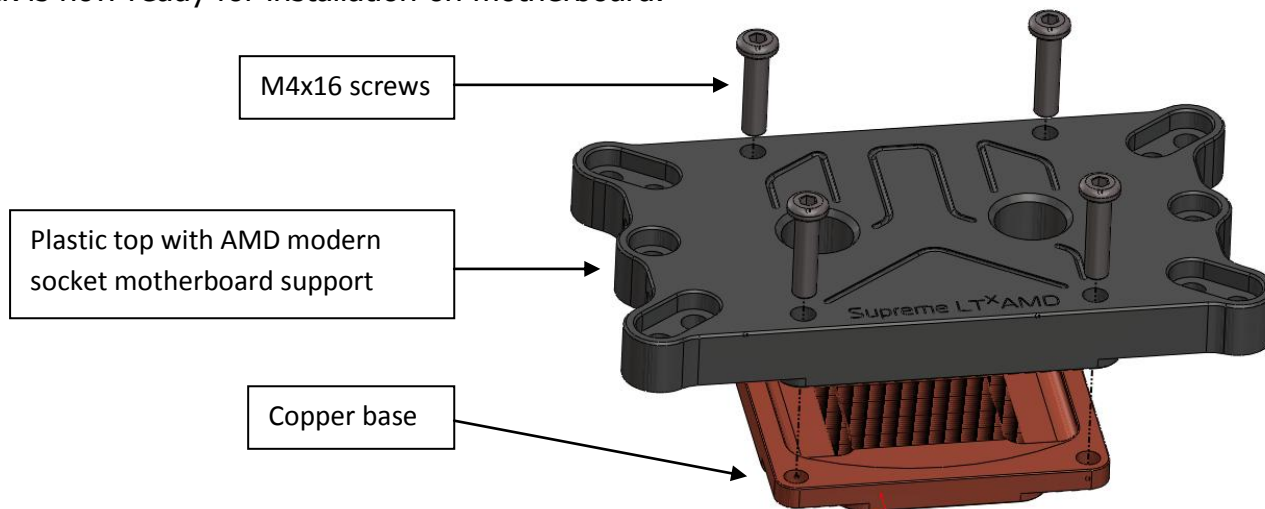


This product is intended for installation only by expert users. Please consult with a qualified technician for installation. Improper installation may result in damage to your equipment. EK Water Blocks assumes no liability whatsoever, expressed or implied, for the use of these products, nor their installation. The following instructions are subject to change without notice. Please visit our web site at [www.ekwaterblocks.com](http://www.ekwaterblocks.com) for updates. Before installation of this product please read important notice, disclosure and warranty conditions printed on the back of the box.

**The barb hose fittings require only a small amount of force to screw them in; otherwise the high flow fittings might break. These fittings do not need to be tightened with much force because the liquid seal is made using o-rings.**

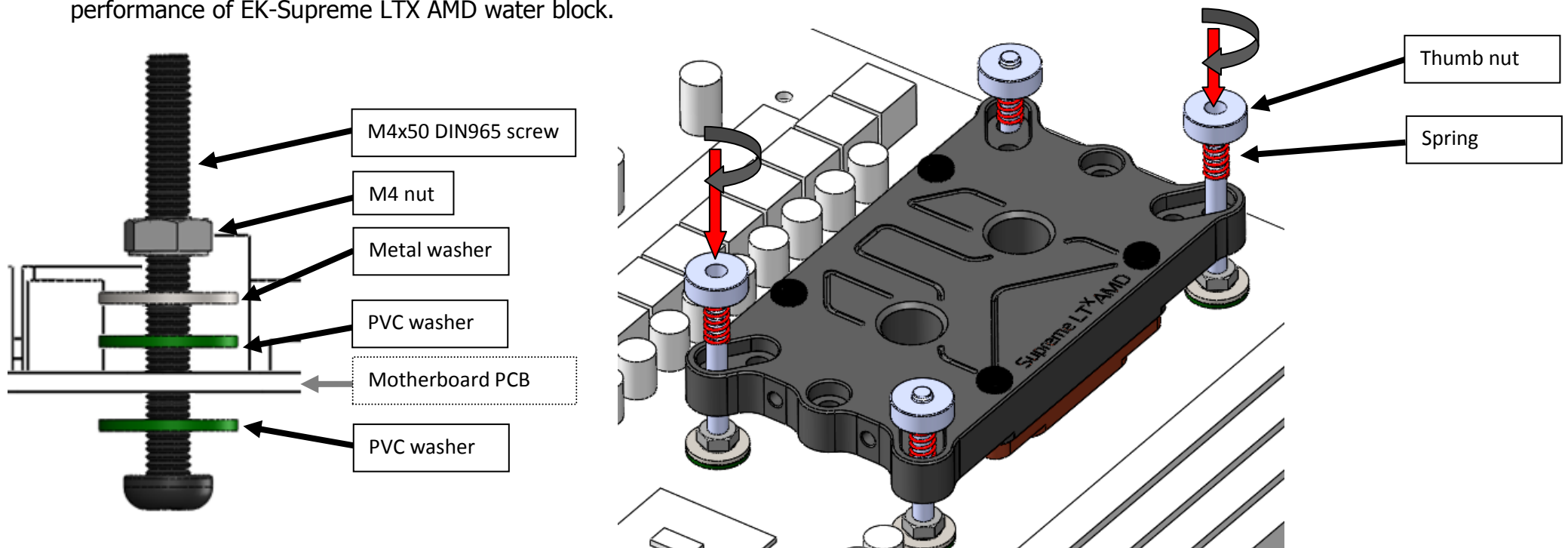
## STEP 1: GENERAL INFORMATION

Your new CPU waterblock comes prepared for attaching on your AMD S754/939/940/AM2(+)/AM3(+) socket motherboard. Please follow simple instruction in order to provide safest mount. First remove motherboard from the chassis and put it on even and static-free surface. Afterwards remove plastic reinforcement frame around CPU socket and original backplate (if mounted). Remove protection foil from waterblock's copper base. Your block is now ready for installation on motherboard.



## STEP 2: ATTACHING THE CPU BLOCK TO THE MOTHERBOARD'S SOCKET

- 1) Install the mounting mechanism consisting of screws, nuts and washers on each of the openings of the motherboard's circuit board.
- 2) Apply thermal compound: As per instructions lightly coat the CPU with for example Arctic Cooling MX-4 thermal compound (not enclosed with the EK-Supreme LTX AMD series water block)
- 3) Place the waterblock onto a CPU and place a spring and thumb nut on each M4x50 DIN965 screw. Start screwing two thumbnuts at a time, preferably in a cross pattern. Check the motherboard circuit board (PCB) for any signs of warping or bending.
- 4) Please be very careful when installing the LTX series water block without the use of retention backplate (not included with the EK-Supreme LTX AMD series water block). Warping and/or bending of the motherboard's circuit board can occur as a result of overtightening of thumb nuts. Such mechanical stress can result in permanent damage to your motherboard and/or CPU.
- 5) EK recommends the use of retention backplate such as EK-CPU Backplate Universal (EAN: 3831109855553). Once installed one can apply greater mounting pressure without any motherboard circuit board warping or bending. With retention backplate one will obtain better cooling performance of EK-Supreme LTX AMD water block.



## STEP 3: ATTACHING FITTINGS ON WATERBLOCK

Attach the liquid cooling tubes and connect the water-block(s) into the cooling circuit. For the EK-Supreme LTX AMD one can use any opening as an inlet or outlet port. To ensure that the tubes are securely attached to the barb fittings, please use hose clamps or an appropriate substitute. The use of an algacide and corrosion inhibitors is always recommended for any liquid cooling system. EK recommends the use of EK-PSC compression fittings.

## IMPORTANT DISCLOSURES:

**VERY IMPORTANT NOTICE:** Once the installation is completed, it is a recommended practice to test the cooling circuit for leaks prior to powering up the computer. We recommend a 24 hour leak test prior to powering up the computer. Do not test the water block using city water pressure. This will rupture the top of the housing and render the block unusable (and will void your warranty).

While all efforts have been made to provide the most comprehensive tutorial possible, EK Water Blocks assumes no liability expressed or implied for any consequential damage(s) occurring to your equipment as a result of using EK Water Blocks cooling products, either due to errors or omissions on our part in the above instructions, or due to failure or defect in the EK Water Blocks cooling products.

## WARRANTY:

Our products are warranted against defects in materials or workmanship for a period of 24 months beginning from the date of delivery to the final user. During this period, products will be repaired or have parts replaced at our discretion provided that: (I) the product is returned to the agent from whom it was purchased; (II) the product has been purchased by an end user and has not used for commercial purposes; (III) the product has not been misused, handled carelessly, or used in a manner other than in accordance with the instructions provided describing its installation and proper use. This warranty does not confer rights other than those expressly set out above and does not cover any claims for consequential loss or damage. This warranty is offered as an extra benefit and does not affect your statutory rights as a consumer. This warranty is voided if the product comes in contact with aggressive additives.