

Installation and mounting manuals for **EK-Supreme LT AMD** water block:

This product is intended for expert users. Please consult with a qualified technician for installation. Improper installation may result in damage to your components. EK Water Blocks assumes no liability whatsoever, expressed or implied, for the use of these products, nor their installation. The following instructions are subject to change without notice. Please visit our web site at www.ekwaterblocks.com for updates.

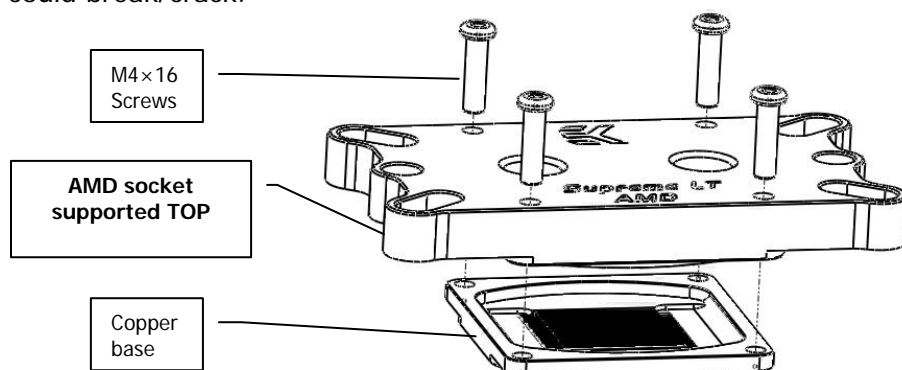
The barb hose fittings require only a small amount of force to screw them in; otherwise the high flow fittings might break. These fittings do not need to be tightened with much force because the liquid seal is made using o-rings.

Step 1. Remove your motherboard from the computer.

Step 2. Remove plastic frame around the CPU area if mounted.

STEP 3. REMOVE PLASTIC PROTECTION FOIL FROM THE POLISHED COPPER BASE!

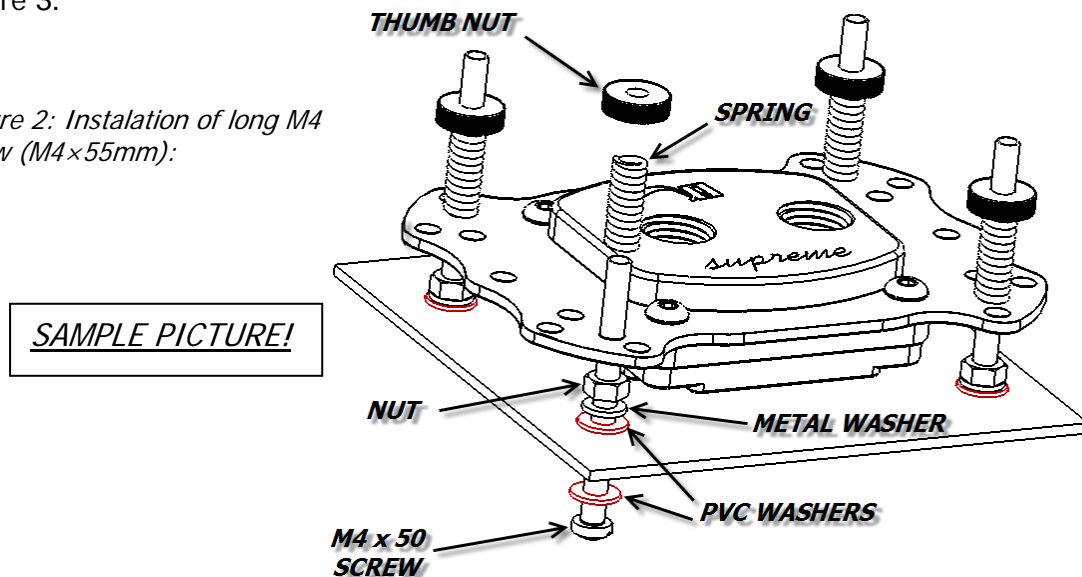
Step 4. If you need to replace top, please be very careful not to apply too much force when reassembling the block. If you use too much force the copper thread could get damage or the top could break/crack.



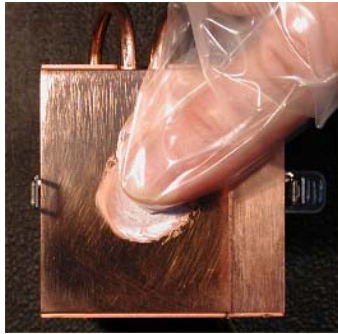
Picture 1: Orientation of EK-Supreme LT AMD parts.

Step 5. Install the long M4 screw with PVC washer, metal washer and M4 nut as seen on picture 3.

Picture 2: Instalation of long M4 screw (M4x55mm):



Step 6. Apply thermal compound: lightly coat the CPU with for example C ramique™ thermal compound. Follow this link http://www.arcticsilver.com/ceramique_instructions.htm for detailed instructions.



← Rub some compound in base of water-block first, and then clean off with lint-free cloth.

Apply small → amount of compound on the CPU or CPU heat spreader.



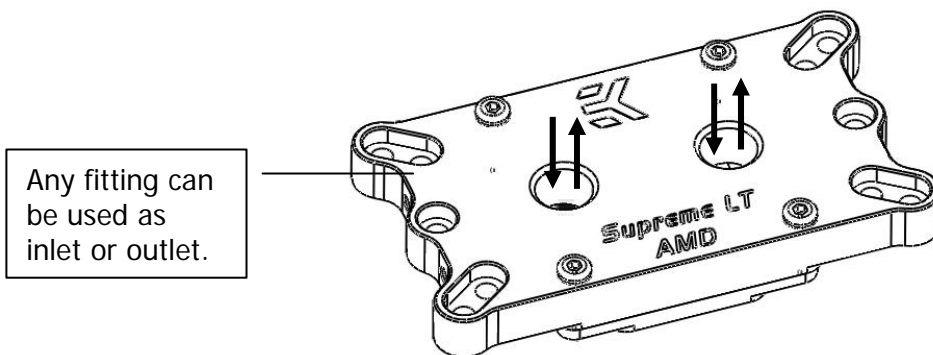
Picture 3: Applying compound on water block.

Picture 4: Applying compound on processor.

Step 7a. EK recommends the use of retention backplate. If you have installed it, you can use higher mounting force. Therefore you can compress springs more than without retention back plate. With retention back plate you will achieve better temperatures on your CPU.

Step 7b. If you don't have installed retention back plate, please be very careful when tightening thumb nuts due to motherboards PCB bending. If it bends too much motherboard might get damaged.

Step 8. Attach the liquid cooling tubes and connect the water-block(s) into the cooling circuit. For the EK-SUPREME LT AMD you can use any fitting as inlet or outlet. To ensure that the tubes are securely attached to the barb fittings, please use hose clamps or an appropriate substitute. The use of an algacide is always recommended for any liquid cooling system.



Picture 5: Water flow directions INLET and OUTLET.

VERY IMPORTANT NOTICE

Once the installation is completed, it is a recommended practice to test the cooling circuit for leaks prior to powering up the computer. We recommend a 24 hour leak test prior to powering up the computer. Do not test the water block using city water pressure. This will rupture the top of the housing and render the block unusable (and will void your warranty).

IMPORTANT DISCLOSURES:

While all efforts have been made to provide the most comprehensive tutorial possible, EK Water Blocks assumes no liability expressed or implied for any consequential damage(s) occurring to your equipment as a result of using EK Water Blocks cooling products, either due to errors or omissions on our part in the above instructions, or due to failure or defect in the EK Water Blocks cooling products.

WARRANTY:

Our products are warranted against defects in materials or workmanship for a period of 24 months beginning from the date of delivery to the final user. During this period, products will be repaired or have parts replaced at our discretion provided that: (I) the product is returned to the agent from whom it was purchased; (II) the product has been purchased by an end user and has not used for commercial purposes; (III) the product has not been misused, handled carelessly, or used in a manner other than in accordance with the instructions provided describing its installation and proper use. This warranty does not confer rights other than those expressly set out above and does not cover any claims for consequential loss or damage. This warranty is offered as an extra benefit and does not affect your statutory rights as a consumer. **This warranty is voided if the product comes in contact with aggressive UV additives.**