



Product Specification Sheet

EK-SB GA-X38

EAN / Part #: 3830046991263

Copper Plexi

Copper Acetal

Nickel Plexi

Nickel Acetal

Summary:

- Featuring a unique, modern look copper design High performance chipset water block for Gigabyte X38 chipset.
- EK chipset series water blocks cover chips that require cooling if overclocked.
- An extreme high flow path design and unique increased cooling surface over Southbridge keeps chips cool even at highest loads and over clock.
- Blocks base is made of SE CU electrolytic copper.
- High quality CNC manufacturing.
- Leak tested to 2 bar pressure (30psi).

Key Features:

- Real high flow internal design gives minimum flow restriction which allows lowest possible temperatures in the entire water-cooling system.
- Reduces temperatures up to 50°C or even more at maximum load.
- Much cooler components, allow maximum possible overclocking.

Technical data:

- dimensions of copper base: 36x36x5,5mm
- dimensions of acetal top: 51x38x8mm
- threads: 2 x G 1/4
- fittings: optional, not enclosed
- neto weight: 55g
- bruto weight: 115g

Packing list:

- 1 x Water block
- Mounting mechanism



Do not forget other EK products for your water cooling system:



blocks



radiators



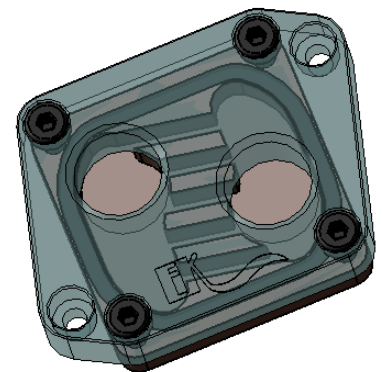
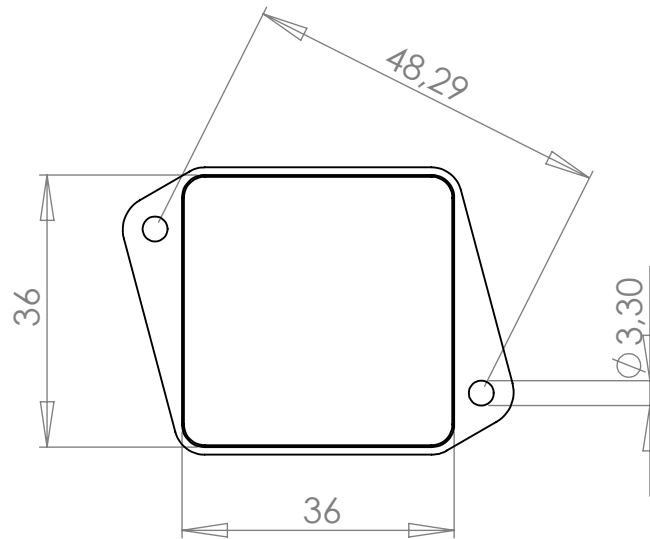
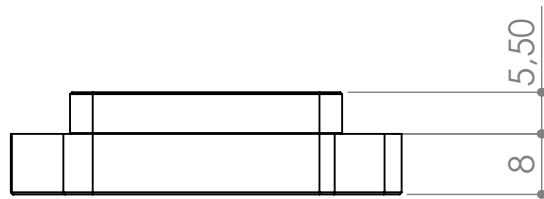
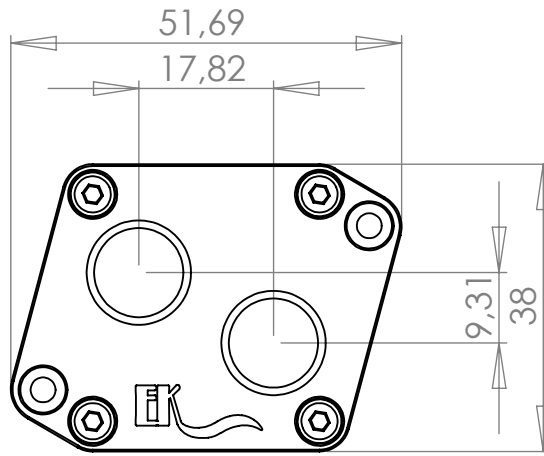
pumps



resevoirs



accessories



IMPORTANT DISCLOSURE: Drawing is copyrighted and property of EKWB d.o.o. company. Drawing is supplied only for easier compatibility recognition by user and can not be used for any other intention.



PRODUCT NAME: **EK-SB GA X38**

Scale: **1:1**

Sheet format A4

Sheet 1 of 1