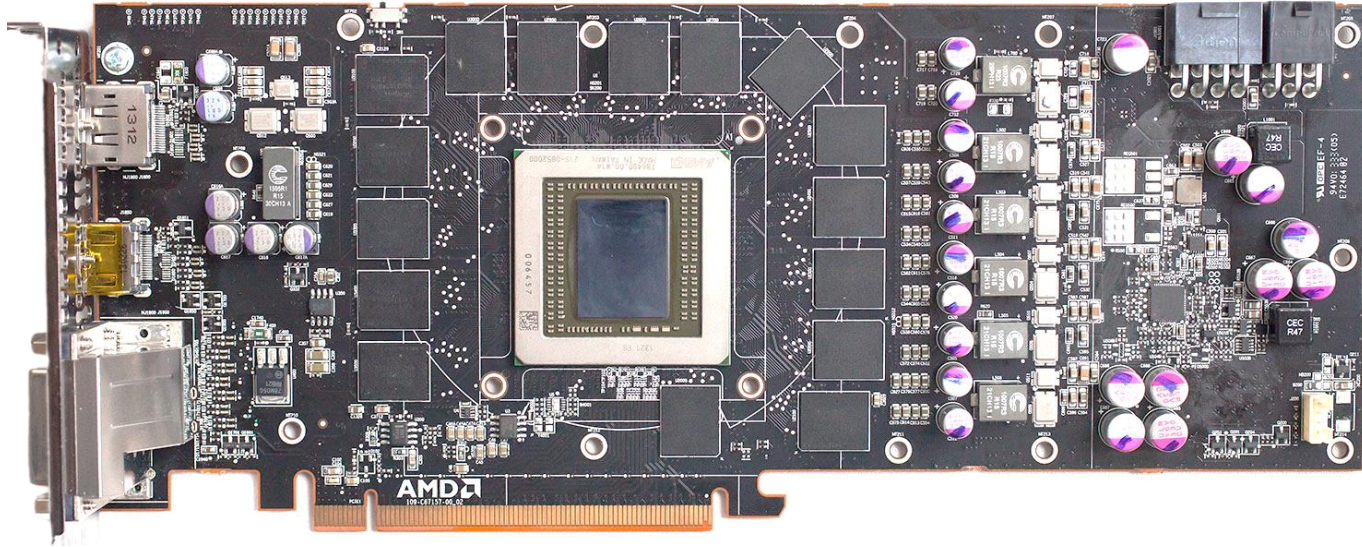


This product is intended for installation only by expert users. Please consult with a qualified technician for installation. Improper installation may result in damage to your equipment. EK Water Blocks assumes no liability whatsoever, expressed or implied, for the use of these products, nor their installation. The following instructions are subject to change without notice. Please visit our web site at [www.ekwb.com](http://www.ekwb.com) for updates. Before installation of this product please read important notice, disclosure and warranty conditions printed on the back of the box.

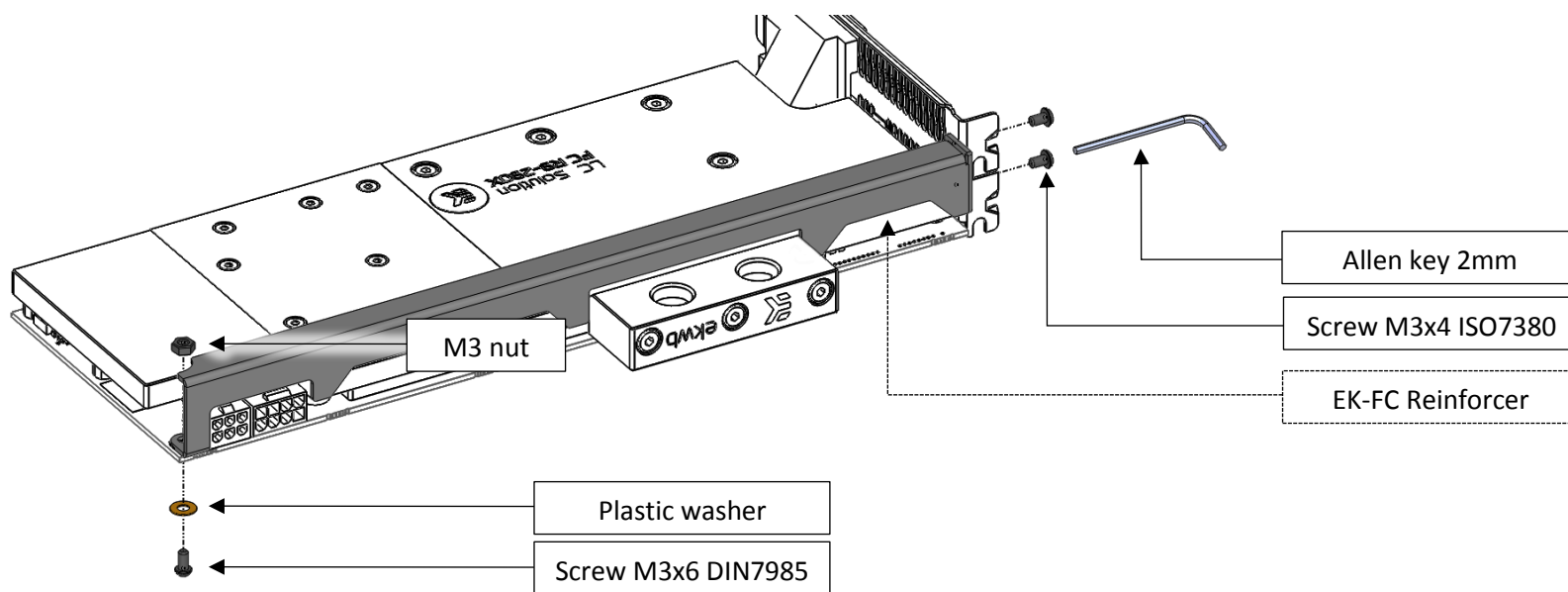
## STEP 1: GENERAL INFORMATION. Sample picture of AMD Radeon R9 290X graphics card.



## STEP 2: INSTALLING THE REINFORCER W/O USING EK-FC BACKPLATE

EK-FC R9-290X Reinforcer is very easy to install. This step will show how to install the reinforcer without using the EK-FC R9-290X Backplate:

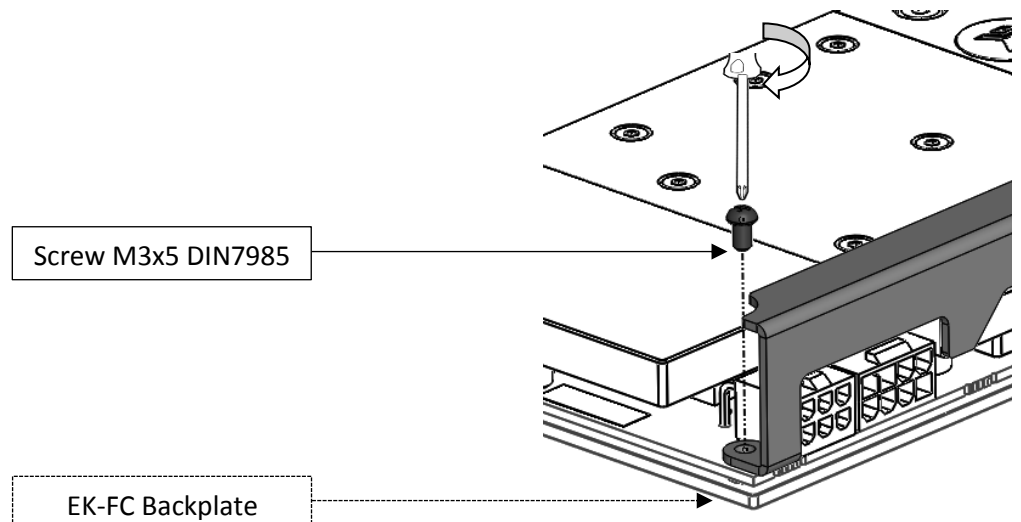
- 1) Install EK-FC R9-290X series water block according to its installation manual in case you haven't done so yet.
- 2) Install the Reinforcer over the water block, align the three mounting holes and secure the Reinforcer to the graphics card I/O bracket with enclosed M3x4 ISO7380 screws using enclosed Allen key 2mm.
- 3) Finish the installation by using M3x6 DIN7985 screw, plastic washer and a M3 nut to secure the back end of the Reinforcer to the graphics card circuit board. Tighten the screw using Philip head screwdriver.



## STEP 3 (alternatively): INSTALLING THE REINFORCER AND USING IT WITH THE EK-FC BACKPLATE

Alternatively, it is possible to use both EK-FC R9-290X Backplate and Reinforcer at the same time. This step will show how to install the Reinforcer using the EK-FC R9-290X Backplate:

- 1) Install EK-FC R9-290X series water block and EK-FC R9-290X Backplate according to its installation manual in case you haven't done so yet.
- 2) Install the Reinforcer over the water block, align the three mounting holes and secure the Reinforcer to the graphics card I/O bracket with enclosed M3x4 ISO7380 screws using enclosed Allen key 2mm **(as shown in STEP 2)**
- 3) Finish the installation by using M3x4 DIN7985 screw to secure the back end of the Reinforcer to the graphics card circuit board. Tighten the screw using Philip head screwdriver.



## REQUIRED TOOLS:



Philips head screwdriver