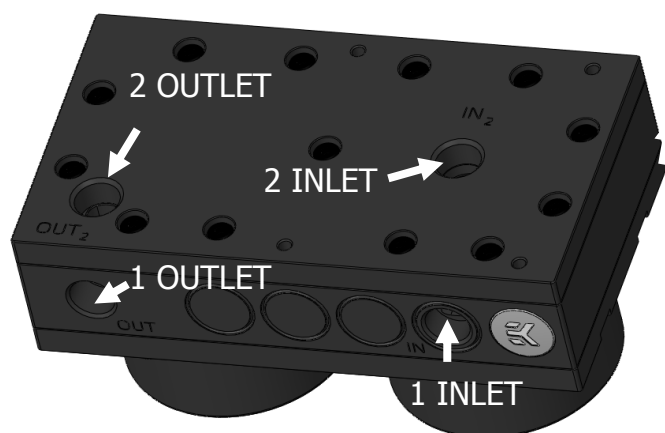


This product is intended for installation only by expert users. Please consult with a qualified technician for installation. Improper installation may result in damage to your equipment. EK Water Blocks assumes no liability whatsoever, expressed or implied, for the use of these products, nor their installation. The following instructions are subject to change without notice. Please visit our web site at www.ekwb.com for updates. Before installation of this product please read important notice, disclosure and warranty conditions printed on the back of the box.

Before you start using this product please follow these basic guidelines:

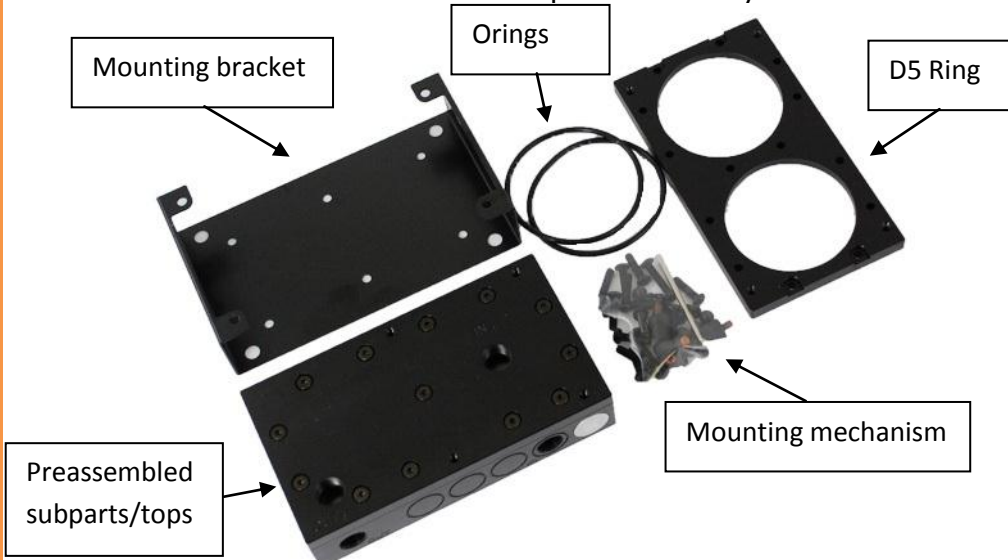
1. Please carefully read the manual before through before beginning with the installation process!
2. Please remove your motherboard from the computer to assure safest mounting process in order to prevent any possible damages to your CPU and/or motherboard's circuit board (PCB).
3. The EK High Flow and EK-PSC type fittings require only a small amount of force to screw them firmly in place since the liquid seal is ensured by the rubber o-ring gaskets.
4. The use of corrosion inhibiting coolants is always recommended for any liquid cooling system.
5. EKWB recommends 24 hour leak testing for all EK products before powering on the computer. This will eliminate any damages that may occur because of the users improper installation or products imperfections.

STEP 1: GENERAL INFORMATION. Sample picture of EK-D5 Dual TOP CSQ mounted with two Laing D5 pumps (MCP 655) – (Left picture)



Two outlets have to be closed with enclosed G1/4 plugs.

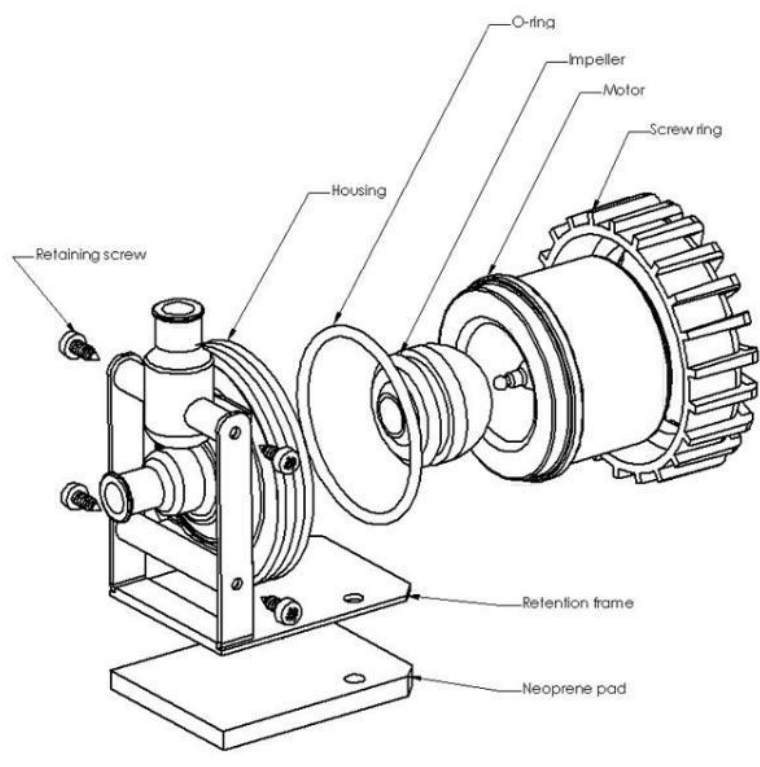
Picture of enclosed parts in delivery.



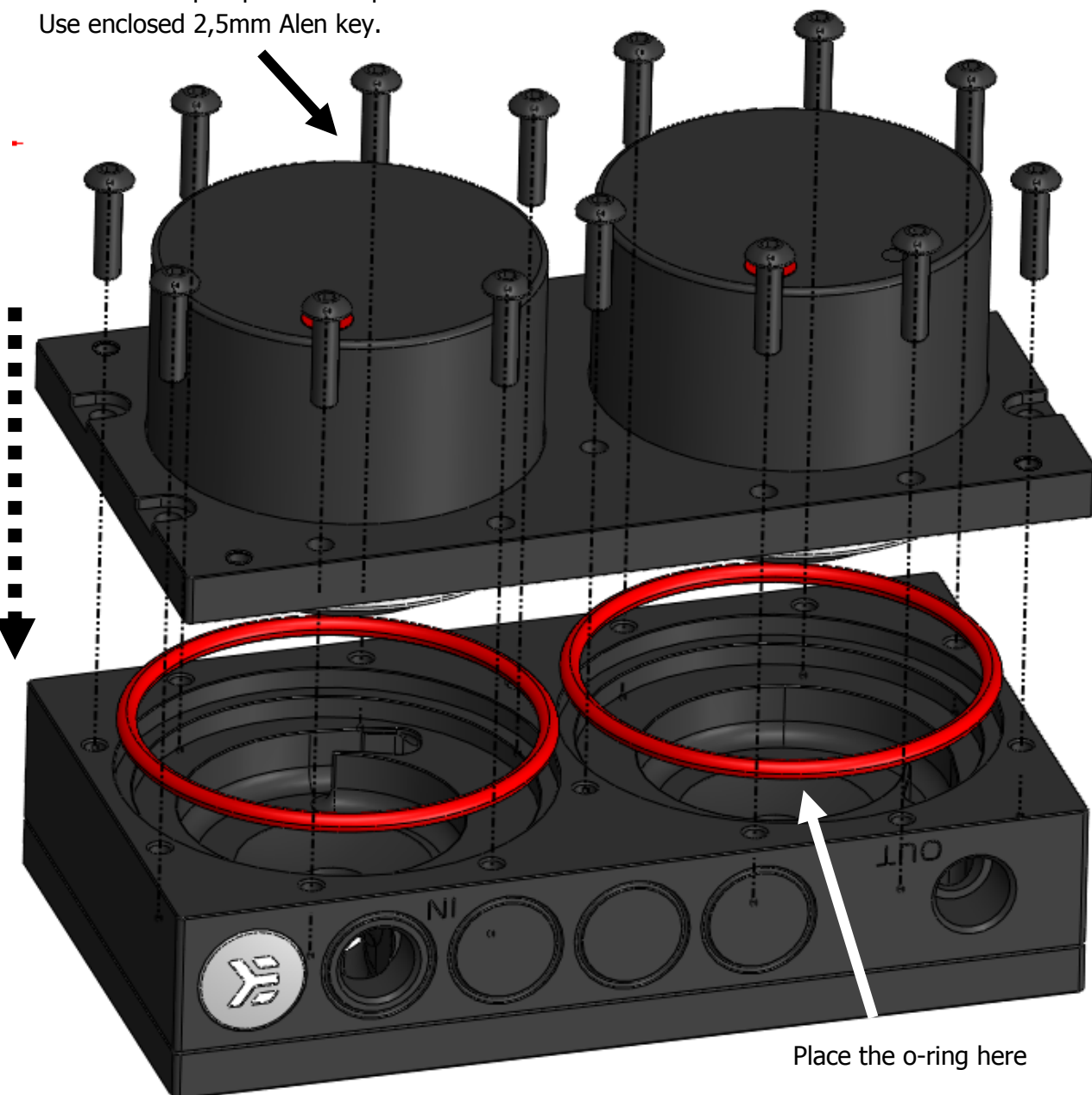
STEP 2 and 3: PREPARING THE PUMP AND ASSEMBLING THE "EK-D5 Dual TOP CSQ" WITH TWO PUMPS

2. PREPARING THE PUMP.

Take your Laing D5 or MCP655 branded pump. Unscrew the Screw ring and take only motor with impeller. (the rest parts of the pump delivery you will not need.)



Use 14 pcs of M4×16mm screws to mount the pumps to the top. Use enclosed 2,5mm Allen key.



3. ASSEMBLING THE "EK-D5 Dual TOP CSQ" WITH TWO PUMPS

Take motor with impeller of your Laing D5 or MCP655 branded pump. Place it according to right picture. Do not forget to place o-rings that are enclosed in "EK-D5 Dual TOP CSQ" box. Use enclosed 2,5mm Allen key to screw the 16 M4×16mm screws on bottom side to secure the pumps.

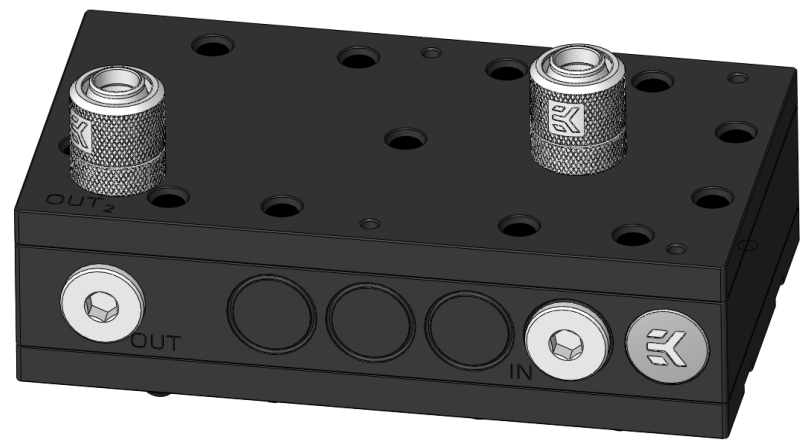
CAUTION!

Top part of the EK-D5 Dual TOP CSQ is not symmetrical therefore please pay attention to the orientation!

STEP 4: POSSIBLE POSITIONS and MOUNTINGS



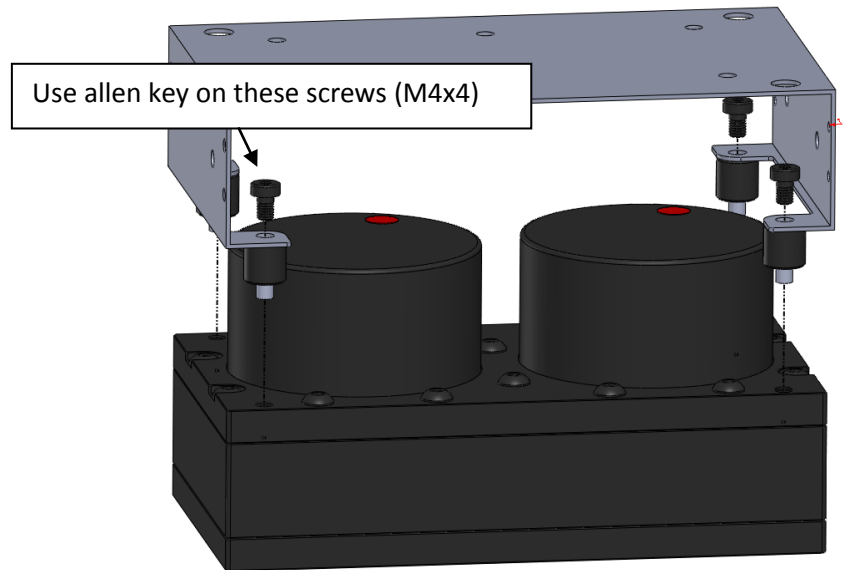
Fitting position example #1



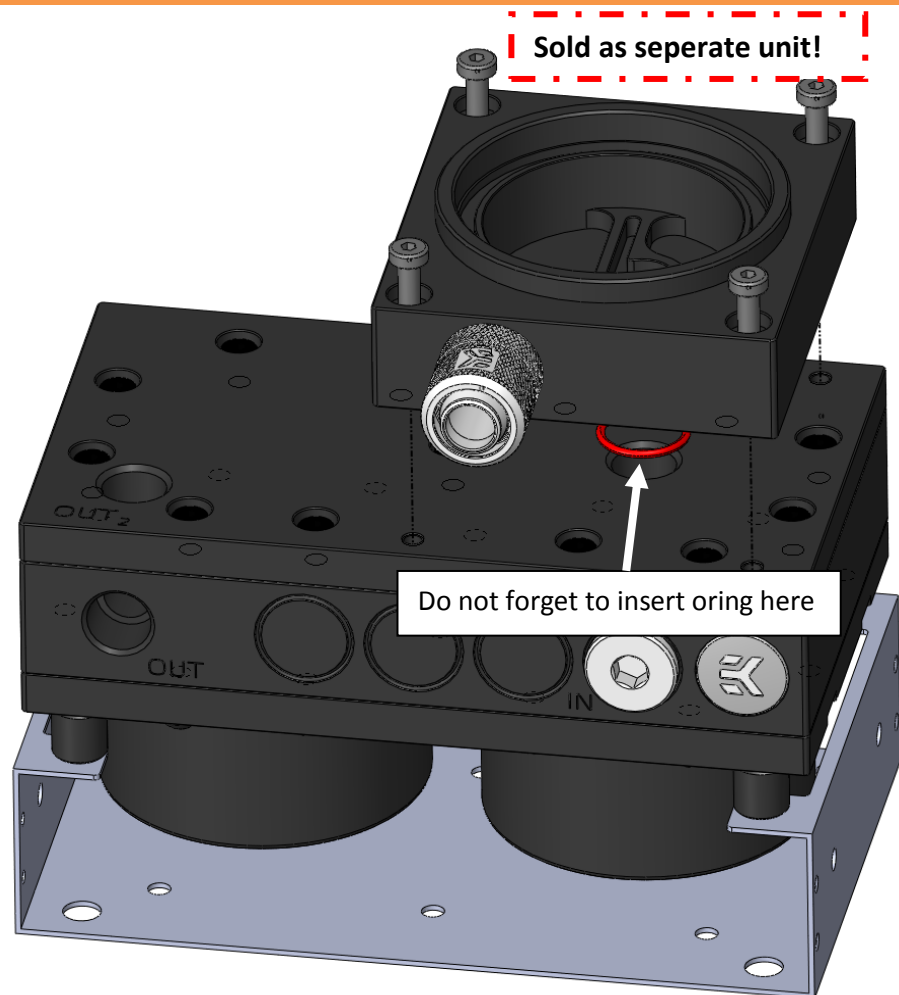
Fitting position example #2



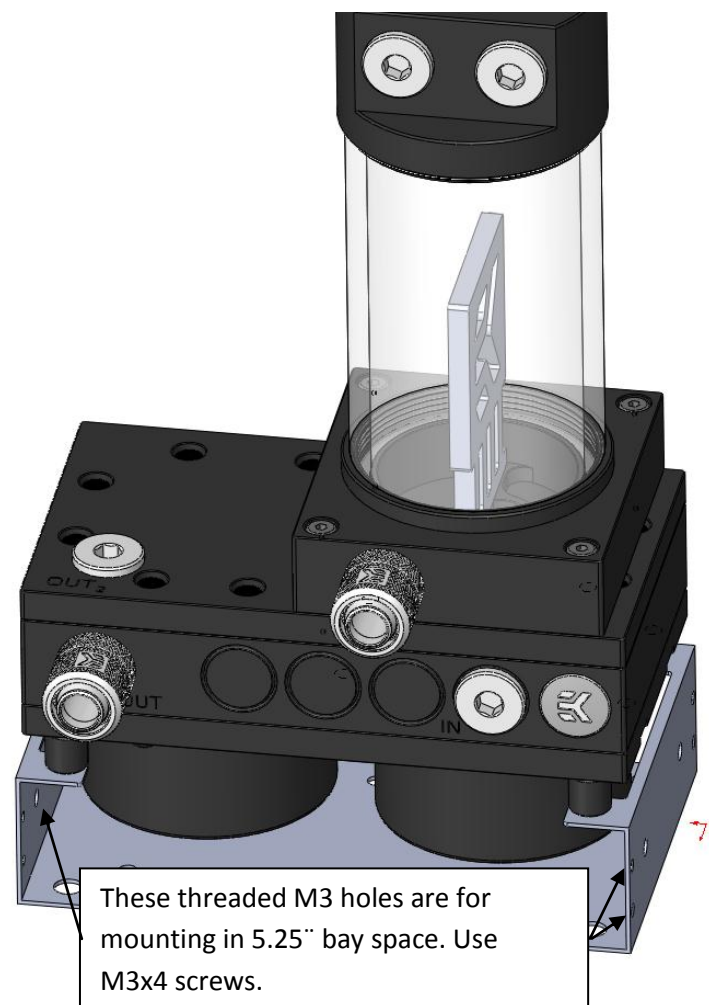
Fitting position example #3



Mounting the M4 anti vibration dampers for 5,25" BAY mount



EK-D5 Dual TOP CSQ as a Reservoir (X3) Combo



Complete assembly

STEP 5: OTHER INSTRUCTIONS

Please note that EKWB holds no responsibility of any kind if assembly is not made by instructions. This applies also for all products that are not listed as compatible on web page. Users must by all means also consider instructions that are being made for proper use of pump provided by pump manufacturer.