



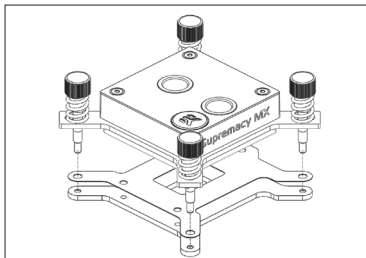
3rd revision, Oct 15th 2016

---

# Supremacy MX – Intel®

USER GUIDE

## GENERAL INFORMATION ON WATER BLOCK COMPATIBILITY



This CPU liquid cooling unit is pre-assembled for use with modern Intel desktop socket type motherboards. By default this water block supports the following CPU sockets:

- Intel® Socket LGA-115x
- Intel® Socket LGA-2011(-3)

The backplate and the BAS gasket are used just for mounting on the LGA-115x sockets!



### Caution:

Not compatible with LGA-2011-3 motherboards that do not have mounting holes through the circuit board (e.g. some ASRock and Gigabyte motherboards. Check before purchase!\*

Narrow server type LGA-2011 is not supported by default – a **Mounting plate Supremacy LGA-2011 Narrow ILM** (EAN: 3830046990600) is mandatory to install this water block on narrow server type LGA-2011 motherboards. Replacing the mounting plate requires disassembly of the waterblock.

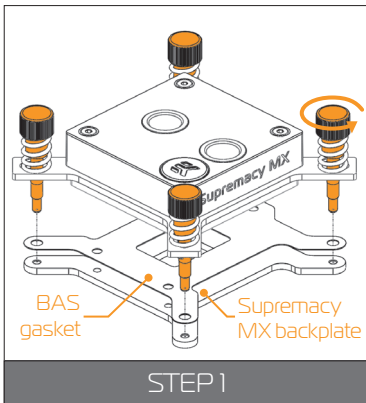
## INSTALLING THE WATERBLOCK

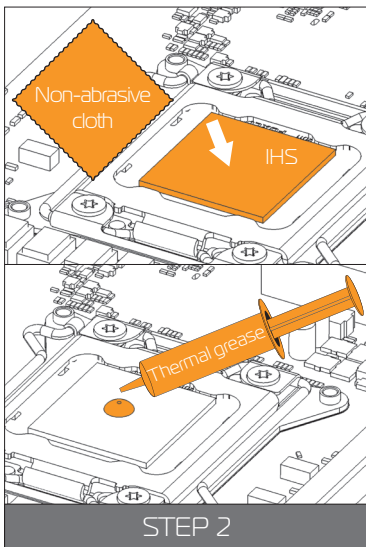
### LGA-2011(-3) SOCKET MOTHERBOARDS

#### STEP 1

Unscrew all four (4) thumb-nut screws (marked ORANGE) in counter-clockwise direction and remove the backplate and the BAS gasket. Do not use any tools (such as pliers) during this process!

Store away the EK-Supremacy MX Backplate as it is not needed with LGA-2011 series CPUs.





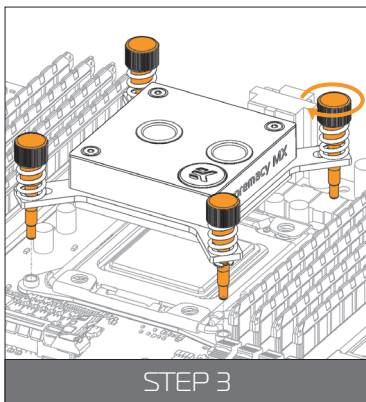
## STEP 2

**Cleaning the CPU:** Wipe the CPU's contact surface (by using non-abrasive cloth or Q-tip, as shown on sample photo).

**Applying thermal compound:** EK recommends blob or line method of applying the enclosed EK-TIM Ectotherm thermal compound to the CPU heat spreader (IHS) - see sample photo on right.



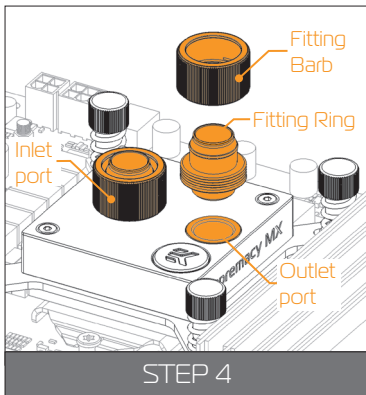
The quantity of about two rice grains is just about right.  
There is no need to cover the whole IHS. Applying too much thermal grease will have negative impact on the cooling performance!



### STEP 3

Align water block with pre-installed mounting mechanism above the LGA-2011 motherboard with pre-installed CPU.

Tighten the screws with your thumbs until you reach the end of the thread, preferably by tightening two thumb screws at a time in the cross pattern. Do not use any tools (such as pliers) during this process!



#### STEP 4

Tighten the fitting bars in clockwise direction until the gasket underneath is compressed.

The installation of the CPU water block is now complete.



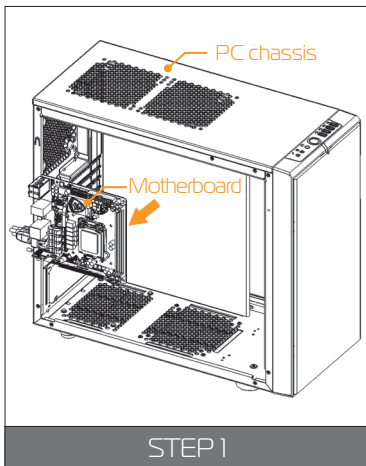
With EK-Supremacy MX series water blocks it is mandatory to use the port that is nearest to the center of the water block as INLET port. Mixing the ports may result in less than ideal thermal performance of the water block.

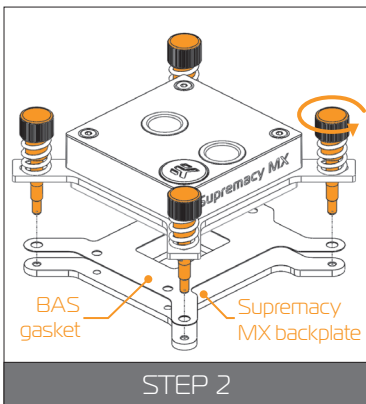
## INSTALLING THE WATER BLOCK

### LGA-115X SOCKET MOTHERBOARDS

#### STEP 1

If already installed, please remove the motherboard from your computer.



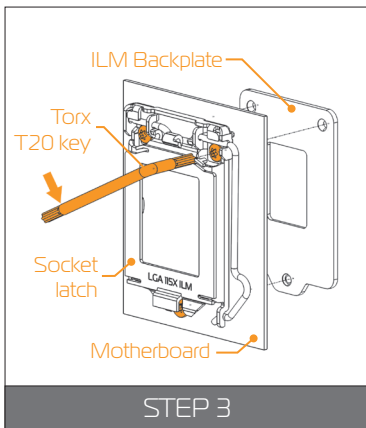


## STEP 2

Unscrew all four (4) thumb-nut screws in counter-clockwise direction and remove the backplate and the BAS gasket. Do not use any tools (such as pliers) during this process!

Save the backplate and the gasket for later operations.



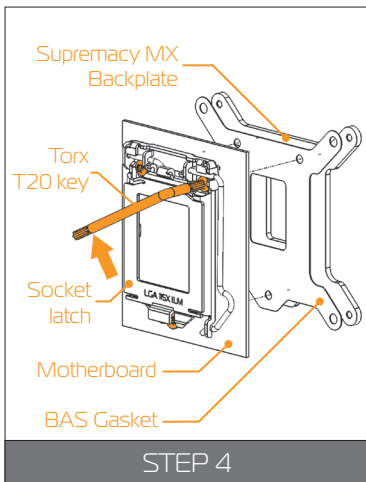


### STEP 3

Installing this water block on LGA-115x system requires two pre-steps – removing of the original Backplate and replacing it with EK-Supremacy MX Backplate.

Place motherboard on an even surface with front side facing up.

Using enclosed Torx key T20 remove the three UNC 6-32 screws securing the Socket Latch Mechanism (ILM) and original backplate (BP) to the motherboard. See sketches on the right (STEP 1, STEP 2, STEP 3) for part identification.

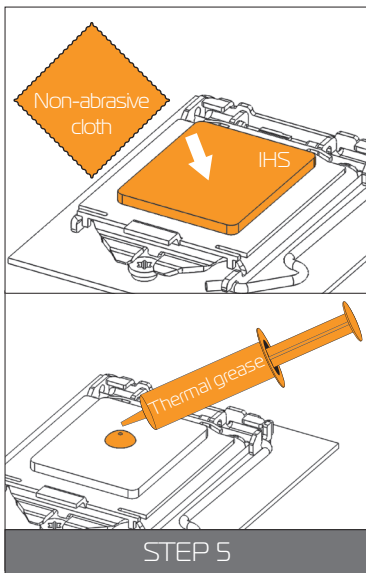


#### STEP 4

Replace the original ILM backplate with the enclosed EK-Supremacy MX Backplate and BAS gasket and then secure it using three original UNC 6-32 screws.



BAS gasket is needed to prevent short-circuit between the backplate and the motherboard therefore it is mandatory to install it!



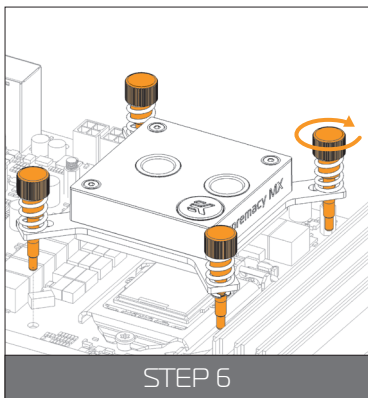
## STEP 5

Cleaning the CPU: Wipe the CPU's contact surface (by using non-abrasive cloth or Q-tip, as shown on sample photo).

**Applying thermal compound:** EK recommends blob or line method of applying the enclosed thermal compound to the CPU heat spreader (IHS) - see sample photo on right.



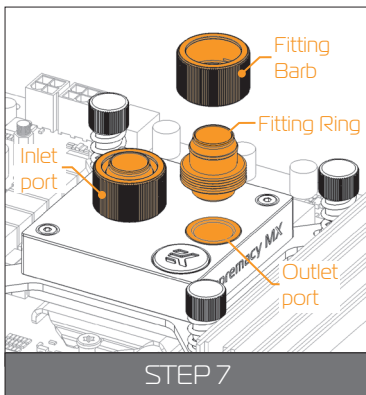
The quantity of about two rice grains is just about right. There is no need to cover the whole IHS. Applying too much thermal grease will have negative impact on the cooling performance!



## STEP 6

Align water block with pre-installed mounting mechanism above the LGA-115X motherboard with pre-installed CPU.

Tighten the screws with your thumbs until you reach the end of the thread, preferably by tightening two thumb screws at a time in the cross pattern. Do not use any tools (such as pliers) during this process!



## STEP 7

Tighten the fitting bars in clockwise direction until the gasket underneath is compressed.

The installation of the CPU water block is now complete.



With EK-Supremacy MX series water blocks it is mandatory to use the port that is nearest to the center of the water block as INLET port. Mixing the ports may result in less than ideal thermal performance of the water block.

